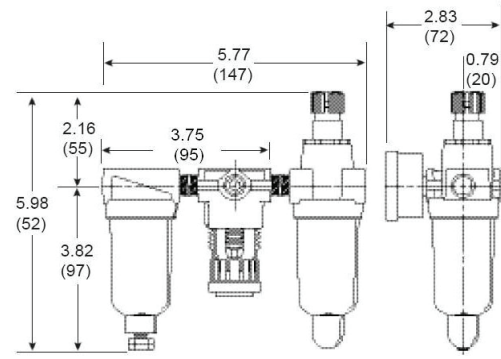
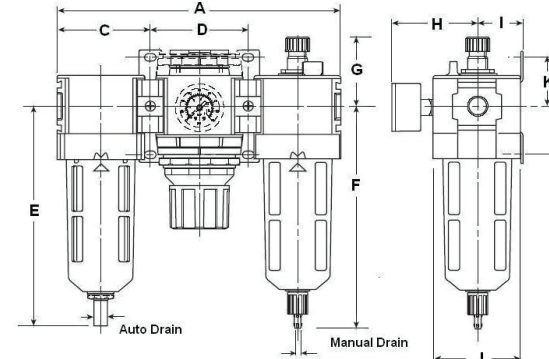


Dimensions for "A" Style FRL Products

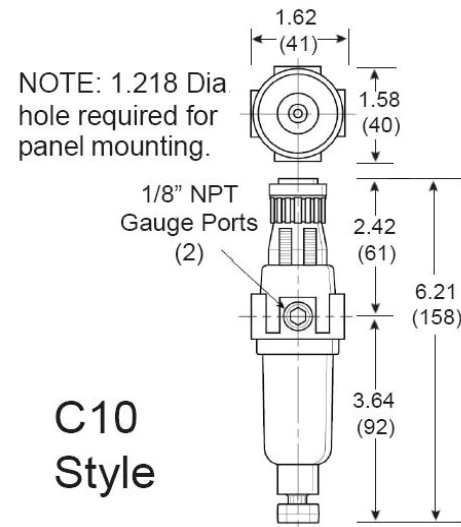


A10 Style

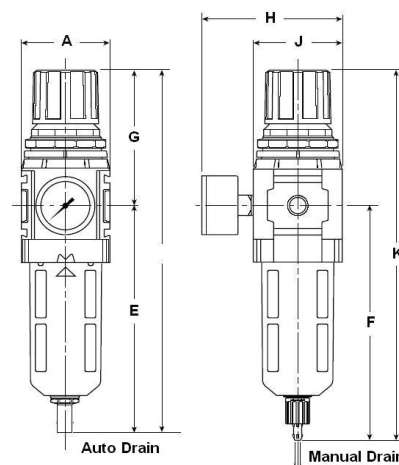


A20, A30, A40 Style

Dimensions for "C" Style FR Products



C10 Style



C20, C30, C40 Style

Specifications

Pressure & Temperature Ratings –

Metal Bowl 0 to 250 PSIG (0 to 17.2 bar)
32°F to 175°F (0°C to 80°C)

Secondary Pressure Ranges –
Standard Pressure 2 to 125 PSIG (0 to 8.6 bar)
Medium Pressure 1 to 60 PSIG (0 to 4.1 bar)
Medium Pressure 1 to 30 PSIG (0 to 2.1 bar)
Low Pressure 1 to 15 PSIG (0 to 1.0 bar)

Gauge Ports (2) 1/8" (A10, A20, C10, C20)
1/4" (A30, A40, C30, C40)

Standard Filtration 5 micron

All Fairchild 5 micron elements meet or exceed ISO Class 3 for maximum particle size and concentration of solid contaminants.

Dimensions

Model	Inches (mm)	Dimensions									
		A	C	D	E	F	G	H	I	J	K
A20	4.72 (120)	1.57 (40)	1.57 (40)	3.53 (90)	1.61 (41)	2.25 (57)	1.47 (37)	1.61 (41)	1.68 (43)	1.37 (35)	3.15 (80)
A30	7.77 (197)	2.53 (64)	2.70 (69)	4.46 (113)	4.69 (119)	2.31 (59)	2.57 (65)	1.62 (41)	2.36 (60)	1.62 (41)	3.25 (83)
A40	9.32 (237)	3.05 (77)	3.22 (81)	7.00 (178)	7.40 (188)	2.56 (65)	2.83 (72)	1.53 (39)	2.90 (73)	1.63 (41)	3.25 (83)
C20	1.58 (40)	X X	X X	X X	3.86 (98)	2.60 (66)	2.53 (64)	X X	1.68 (43)	6.46 (164)	X X
C30	2.36 (60)	X X	X X	6.11 (155)	6.34 (161)	3.66 (93)	3.74 (95)	X X	2.36 (60)	10.00 (254)	X X
C40	2.90 (74)	X X	X X	7.12 (181)	7.35 (187)	4.09 (104)	4.27 (108)	X X	2.90 (74)	11.44 (291)	X X

Ordering Information

Catalog No.:

Style FRL A

Size Mini 10

Output Range 0-125 psi (0-8.6 BAR) ... 6

Port Size 1/8" 1
1/4" 2

Port Thread-NPT N

Elastomers-Nitrile N

Relieving R

Drain Manual M

Bowl Metal (Standard) L

Gage Included G

Size10 Replacement Filter Element: 21518-1

(Shown with optional poly bowl)



Catalog No.:

Style FRL A

Size Small 20
Medium 30
Large 40

Output Range 0-125 psi (0-8.6 BAR) ... 6

Port Size 1/4" 2
3/8" 3
1/2" 4
3/4" 6

Port Thread NPT N
BSPP H

Elastomers Nitrile N

Relief Relieving R

Drain Manual M
Automatic A

Bowl Metal (Standard) L

Gage Included G

1 Not Available in 40 Series
2 Not Available in 20 Series
3 Available only in 40 Series

Size 20 Replacement Filter Element: 21519-1

Size 30 Replacement Filter Element: 21520-1

Size 40 Replacement Filter Element: 21521-1



CAUTION:

REGULATOR PRESSURE ADJUSTMENT – The working range of knob adjustment is designed to permit outlet pressures within their full range. Pressure adjustment beyond this range is also possible because the knob is not a limiting device. This is a common characteristic of most industrial regulators, and limiting devices may be obtained only by special design.

For best performance, regulated pressure should always be set by increasing the pressure up to the desired setting.

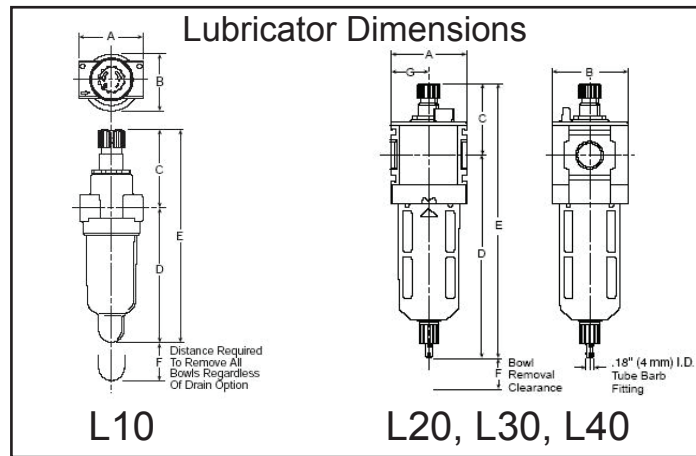
Flow Capacities	Port Size (@ 100 psi Inlet Pressure)		
	Port Size	SCFM	(m³/hr)
A10	1/8	20 SCFM	(33m³/hr)
	1/4	20 SCFM	(33m³/hr)
A20	1/8	29 SCFM	(49m³/hr)
	1/4	44 SCFM	(75m³/hr)
A30	1/4	110 SCFM	(187m³/hr)
	3/8	160 SCFM	(272m³/hr)
	1/2	160 SCFM	(272m³/hr)
A40	3/8	150 SCFM	(255m³/hr)
	1/2	175 SCFM	(297m³/hr)
	3/4	175 SCFM	(297m³/hr)

Materials of Construction (FRL Products)	
Body	Zinc
Bonnet/Knob	Nylon/Acetal
Bowl - Metal	Zinc, Aluminum
Diaphragm Ass'y	Nitrile/Zinc
Spring	Steel
Seals	Nitrile
Valve Ass'y	Brass/Nitrile/Acetal

Lubricators

L10 Lubricator

L20, L30, L40 Lubricator



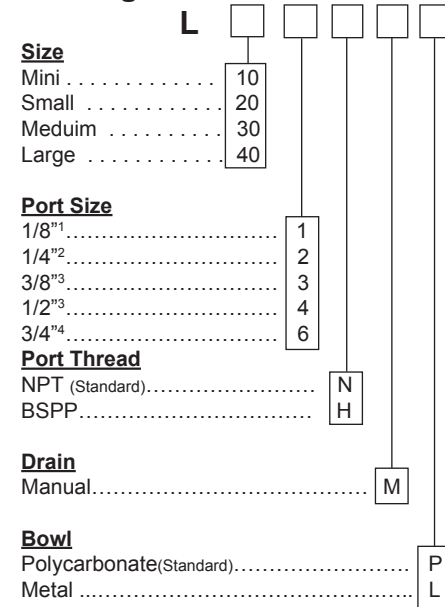
Dimensions Table

Model	Inches (mm)	A	B	C	D	E	F	G
L10	1.73 (44)	1.56 (40)	2.16 (55)	3.64 (92)	3.78 (147)	5.80 (147)	XX	
L20	1.58 (40)	1.68 (43)	2.25 (57)	3.75 (95)	6.00 (152)	1.31 (33)	.84 (21)	
L30	2.36 (60)	2.36 (60)	2.31 (59)	6.35 (161)	8.66 (220)	1.60 (41)	1.18 (30)	
L40	2.90 (74)	2.90 (74)	2.56 (65)	7.36 (187)	9.92 (252)	2.00 (51)	1.45 (37)	

Flow Capacities

Model	Port Size		@ 150 psi Inlet Pressure, 5 psi drop	
	Port Size	SCFM	m ³ /hr	
L10	1/8	20 SCFM	(34 m ³ /hr)	
	1/4	20 SCFM	(34 m ³ /hr)	
L20	1/8	24 SCFM	(40 m ³ /hr)	
	1/4	58 SCFM	(97 m ³ /hr)	
L30	1/4	88 SCFM	(150 m ³ /hr)	
	3/8	90 SCFM	(151 m ³ /hr)	
	1/2	96 SCFM	(161 m ³ /hr)	
L40	3/8	176 SCFM	(296 m ³ /hr)	
	1/2	184 SCFM	(309 m ³ /hr)	
	3/4	200 SCFM	(336 m ³ /hr)	

Catalog No.:



- 1 Only Available in 10, 20 Series
- 2 Not Available in 40 Series
- 3 Not Available in 10, 20 Series
- 4 Only Available in 40 Series

Specifications

Pressure & Temperature Ratings –

Metal Bowl	0 to 250 PSIG (0 to 17.2 bar) 32°F to 150°F (0°C to 65.5°C)
Plastic Bowl	0 to 150 PSIG (0 to 10 Bar) 32°F to 125°F (0 to 52°C)

Minimum flow of approximately 1 SCFM is required to lubricate

Materials of Construction

Body	Zinc
Bowl	Polycarbonate, Zinc, Aluminum
Pick up Filter	Sintered Bronze
Seals	Nitrile
Sight Dome	Polycarbonate
Drains	Plastic

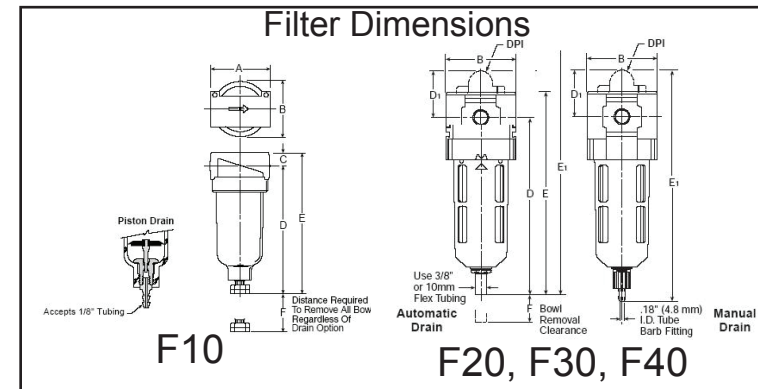
WARNING

Product rupture can cause serious injury.
Do not connect regulator to bottled gas.
Do not exceed maximum primary pressure rating.

Particulate Filters

F10 Filter

F20, F30, F40 Filter



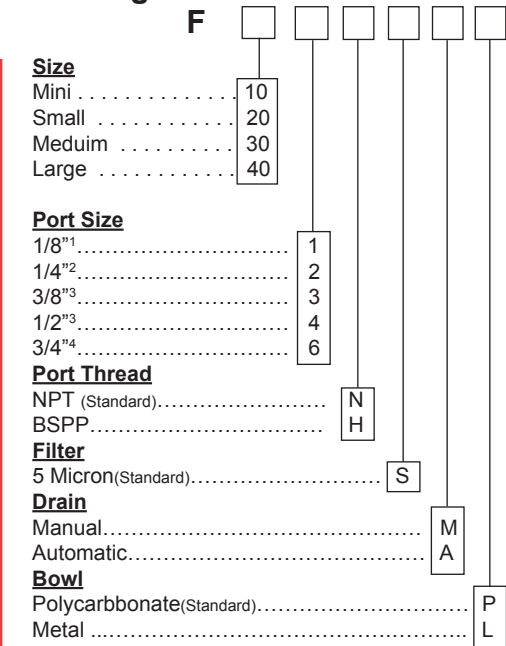
Dimensions Table

Model	Inches (mm)	A	B	C	D	E	E'	F
F10	1.69 (43)	1.53 (39)	.39 (9)	3.82 (97)	4.21 (107)	XX	(41)	
F20	1.58 (40)	1.68 (43)	.72 (18)	3.86 (98)	4.58 (116)	4.36 (111)	1.31 (33)	
F30	2.36 (60)	2.36 (60)	1.02 (26)	6.40 (163)	7.36 (187)	8.23 (209)	1.61 (41)	
F40	2.90 (73)	2.90 (73)	1.02 (26)	7.40 (188)	8.40 (213)	9.25 (235)	2.00 (51)	

Flow Capacities

Model	Port Size		@ 150 psi Inlet Pressure, 5 psi drop	
	Port Size	SCFM	m ³ /hr	
F10	1/8	22 SCFM	(37 m ³ /hr)	
	1/4	24 SCFM	(40 m ³ /hr)	
F20	1/8	25 SCFM	(42 m ³ /hr)	
	1/4	50 SCFM	(84 m ³ /hr)	
F30	1/4	110 SCFM	(185 m ³ /hr)	
	3/8	120 SCFM	(202 m ³ /hr)	
	1/2	145 SCFM	(244 m ³ /hr)	
F40	3/8	144 SCFM	(243 m ³ /hr)	
	1/2	160 SCFM	(269 m ³ /hr)	
	3/4	165 SCFM	(277 m ³ /hr)	

Catalog No.:



- 1 Only Available in 10 Series
- 2 Not Available in 40 Series
- 3 Not Available in 10, 20 Series
- 4 Only Available in 40 Series

- F10 Replacement Filter Element: 21518-1
- F20 Replacement Filter Element: 21519-1
- F30 Replacement Filter Element: 21520-1
- F40 Replacement Filter Element: 21521-1

Materials of Construction

Body	Zinc
Bowl	Polycarbonate, Zinc, Aluminum
Seals	Nitrile
Drains	Plastic

Specifications

Pressure & Temperature Ratings –

Metal Bowl	0 to 250 PSIG (0 to 17.2 bar) 32°F to 150°F (0°C to 65.5°C)*
Plastic Bowl	0 to 150 PSIG (0 to 10 Bar) 32°F to 125°F (0 to 52°C)

Standard Filtration 5 micron

All Fairchild 5 micron elements meet or exceed ISO Class 3 for maximum particle size and concentration of solid contaminants.

* 32°F to 125°F (0 to 52°C) for autodrain models

WARNING

Product rupture can cause serious injury.
Do not connect regulator to bottled gas.
Do not exceed maximum primary pressure rating.

Coalescing Filters

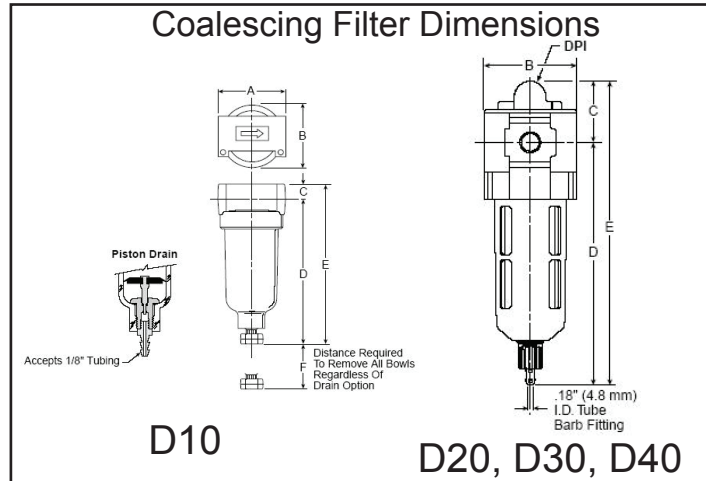
D10 Filter



D20, D30, D40 Filter



DP Indicator on 30, 40 sizes only (Standard)

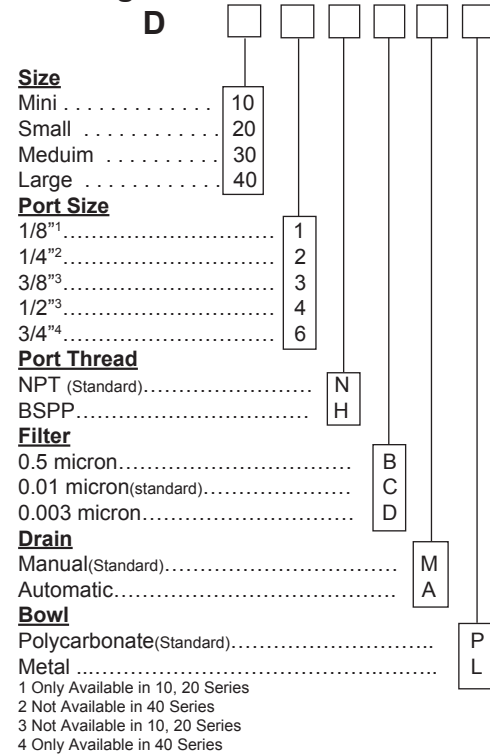


Dimensions Table

Model	Inches (mm)	A	B	C	D	E	F
D10		1.69 (43)	1.53 (39)	.39 (10)	3.82 (97)	4.21 (107)	1.60 (41)
D20		1.58 (40)	1.68 (43)	.72 (18)	3.86 (98)	4.58 (116)	1.31 (33)
D30		2.36 (60)	2.36 (60)	1.90 (48)	6.32 (161)	8.23 (209)	1.60 (41)
D40		2.90 (74)	2.90 (74)	1.90 (48)	7.35 (187)	9.25 (235)	2.00 (51)

Flow Capacities		
Model	Port Size	@ 150 psi Inlet Pressure, 3 psi drop
D10	1/8	17 SCFM (29 m ³ /hr)
	1/4	20 SCFM (32 m ³ /hr)
D20	1/8	11 SCFM (19 m ³ /hr)
	1/4	11 SCFM (19 m ³ /hr)
D30	1/4	40 SCFM (68 m ³ /hr)
	3/8	44 SCFM (74 m ³ /hr)
	1/2	48 SCFM (80 m ³ /hr)
D40	3/8	82 SCFM (138 m ³ /hr)
	1/2	90 SCFM (151 m ³ /hr)
	3/4	98 SCFM (165 m ³ /hr)

Catalog No.:



Series	0.5m ISO Class 2	0.01m ISO Class 1	0.003m ISO Class 1
D10	21518-2	21518-3	21518-4
D20	21519-2	21519-3	21519-4
D30	21520-2	21520-3	21520-4
D40	21521-2	21521-3	21520-4

Materials of Construction	
Body	Zinc
Bowl (Metal)	Polycarbonate, Zinc, Aluminum
Seals	Nitrile
Drains	Polycarbonate

Specifications

Pressure & Temperature Ratings –	
Metal Bowl	0 to 150 PSIG (0 to 10 bar) 32°F to 150°F (0°C to 65.5°C)*
Plastic Bowl	0 to 150 PSIG (0 to 10 Bar) 32°F to 125°F (0 to 52°C)
Standard Filtration	0.01 micron

* 32°F to 125°F (0 to 52°C) for autodrain models

⚠ WARNING

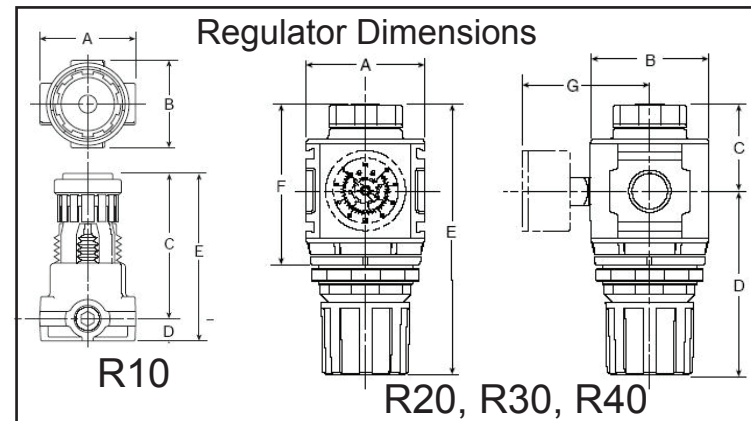
Product rupture can cause serious injury. Do not connect regulator to bottled gas. Do not exceed maximum primary pressure rating.

Pressure Regulators

R10 Regulator



R20, R30, R40 Regulator

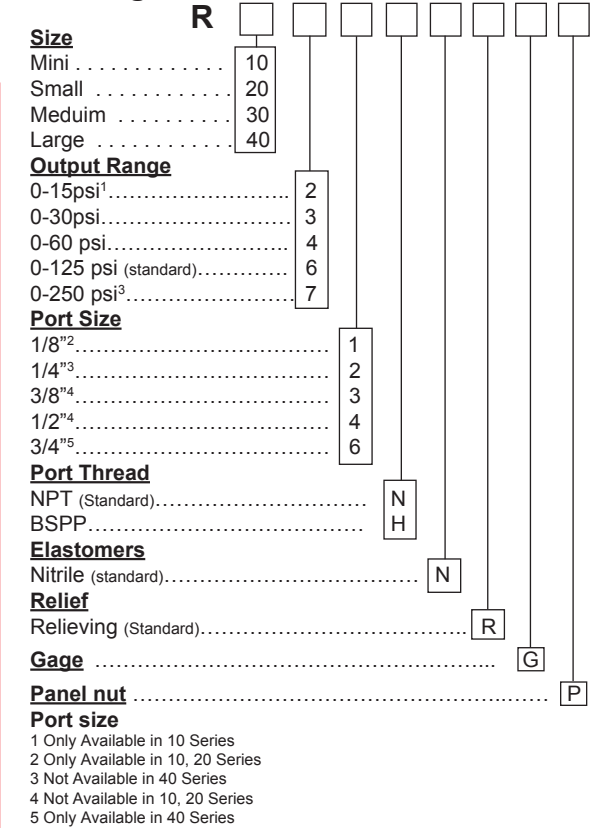


Dimensions Table

Model	Inches (mm)	A	B	C	D	E	F	G
R10		1.65 (42)	1.56 (39.6)	2.50 (63.5)	.38 (9.6)	2.88 (73)	xx	xx
R20		1.58 (40)	1.58 (40)	1.34 (34)	2.60 (66)	3.94 (100)	2.40 (61)	xx
R30		2.36 (60)	2.36 (60)	1.74 (44)	3.66 (93)	5.35 (136)	3.10 (78.7)	3.74 (94)
R40		2.90 (73)	2.90 (73)	1.74 (44)	4.16 (105)	5.87 (149)	3.30 (84)	4.27 (108)

Flow Capacities			
Model	Port Size	@ 100 psi Inlet Pressure	
R10	1/8	13 SCFM	(22 m ³ /hr)
	1/4	15 SCFM	(25 m ³ /hr)
R20	1/8	29 SCFM	(49 m ³ /hr)
	1/4	44 SCFM	(74 m ³ /hr)
R30	1/4	82 SCFM	(138 m ³ /hr)
	3/8	97 SCFM	(163 m ³ /hr)
	1/2	97 SCFM	(163 m ³ /hr)
R40	3/8	162 SCFM	(272 m ³ /hr)
	1/2	170 SCFM	(286 m ³ /hr)
	3/4	176 SCFM	(297 m ³ /hr)

Catalog No.:



Materials of Construction	
Body	Zinc
Bonnet/Knob	Nylon/Acetal
Diaphragm Ass'y	Nitrile/Zinc
Spring	Steel
Seals	Nitrile
Valve Ass'y	Brass/Nitrile/Acetal

Specifications

Pressure & Temperature Ratings –	
	0 to 300 PSIG (0 to 20. bar) 32°F to 150°F (0°C to 65.5°C)
Adjusting Pressure Ranges –	
Standard Pressure	0 to 125 PSIG (0 to 8.6 bar)
Medium Pressure	0 to 60 PSIG (0 to 4.1 bar)
Medium Pressure	0 to 30 PSIG (0 to 2.1 bar)
Low Pressure	0 to 15 PSIG (0 to 1.0 bar)
Gauge Ports (2)	1/8" (10, 20, Series) 1/4" (30, 40, Series)

⚠ WARNING

Product rupture can cause serious injury. Do not connect regulator to bottled gas. Do not exceed maximum primary pressure rating.

CAUTION:

REGULATOR PRESSURE ADJUSTMENT – The working range of knob adjustment is designed to permit outlet pressures within their full range. Pressure adjustment beyond this range is also possible because the knob is not a limiting device. This is a common characteristic of most industrial regulators, and limiting devices may be obtained only by special design.

For best performance, regulated pressure should always be set by increasing the pressure up to the desired setting.