

# INSTRUCTIONS FOR THE INSTALLATION, OPERATION AND MAINTENANCE OF FAIRCHILD T6000 SERIES I/P, E/P RACK KIT

## GENERAL INFORMATION

The Rack Kit is used to mount TR6000 Transducers into a standard 19" rack or console. Check valves are included in the manifold inlet and outlet ports so that transducer modules may be removed without affecting system operation.

Number of Units ..... up to 10 accommodated

Outlet Ports .....  $\frac{1}{8}$  NPT vertically on the bottom  
 $\frac{1}{8}$  NPT horizontally on the rear

Supply Ports .....  $\frac{3}{4}$  NPT on manifold ends  
 $\frac{3}{8}$  NPT on manifold rear

Check Valves ..... inlet and outlet ports

## PRINCIPLES OF OPERATION

Fairchild TR6000 Rack Kits include a 10 unit manifold, side brackets and a faceplate to mount in a standard 19" rack.

## INSTALLATION

### Rack Kits EB-18340-1

(Standard Range) and EB-18368-1 (Extended Range)

Figure 1A shows the parts included in the EB-18340-1 (Standard Range) Rack Kit. Figure 1B shows the parts included in the EB-18368-1 (Extended Range) Rack Kit. Figure 1C shows the parts included in the EB-18242-1 Manifold Adapter Kit which allows the user to mount a TR6000 transducer in the manifold.

### Rack Kit Assembly EB-18340-1

Obtain Rack Kit EB-18340-1. Consult Figure 1A to be sure that all parts are correct. Obtain manifold assembly (1) and fasten right hand bracket (3) to the manifold (1) using four screws (2). Fasten the left hand bracket (4) to the manifold (1) using four screws (2).

Obtain Front panel (5). Place the assembly of manifold and brackets so that the manifold shelf sits on top of the front panel (5) and the three holes in the manifold (1) are aligned with the three holes in the front panel shelf. Fasten front panel (5) and manifold assembly using three screws (6).

Install EA-18233 pipe plugs (8) in the input locations which will not be used. Use Teflon sealant on the threads. Connect  $\frac{3}{4}$  inch air line to one end of the manifold using proper fittings. The user has the choice of obtaining outputs from the back or the bottom of the manifold assembly. Install the appropriate pneumatic fittings in the manifold.

Slide the assembly into rack or console and secure with four screws. Install manifold adaptor kits EB-18242-1 to the transducer modules per instructions. Install the transducers into the rack/manifold assembly.

### Manifold Adapter Kit Installation Figure 1C

Obtain manifold adaptor kit EB-18242-1 and refer to

installation details. Obtain two EB-18150-1 plugs (1) and two EB-130-012-1-70 O Rings (2) from the kit. Install O Ring on plug and insert this assembly in each of the ports on the back of the TR6000 unit.

Obtain two EB-835-5 screws. Insert the screws through EB-18156-1 block and fasten to the bottom front of the TR6000 unit, making sure that the threaded portion of the block faces to the front. Insert captive screw EB-18241-1 into the front of the block and thread through the mating threads. Plug the unit into the manifold assembly. Insert the captive screw into the tapped hole in the shelf of the manifold to hold the transducer in place.

### Electrical Connections

Refer to the Installation, Operation and Maintenance Instructions for the T6000 Series.

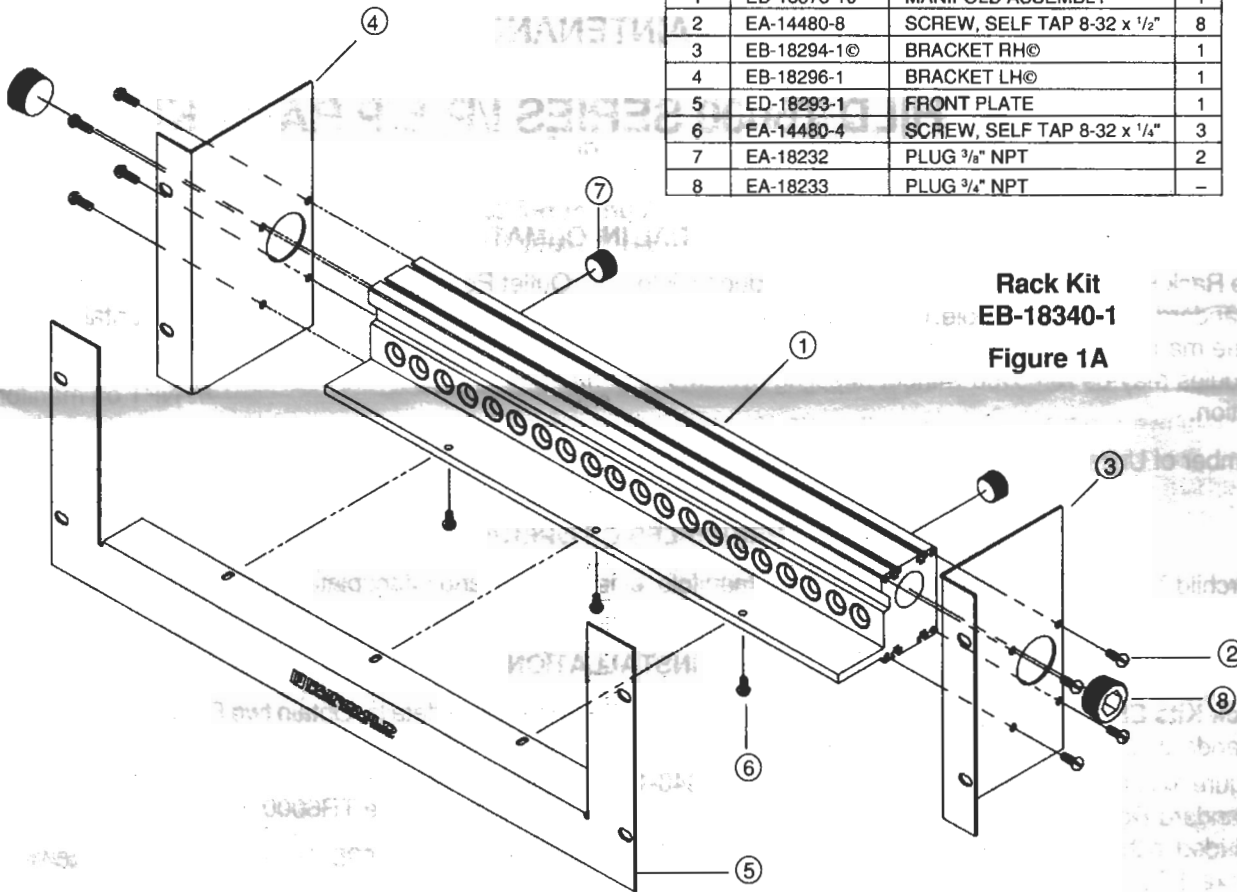
### Rack Kit Assembly EB-18368-1

Obtain rack kit EB-18368-1. Consult Figure 1B to be sure that all parts are correct. Obtain manifold assembly (1) and fasten right hand bracket (3) to the manifold (1) using four screws (2). Fasten the left hand bracket (4) to the manifold (1) using four screws (2).

Obtain front panel (5). Place the assembly of manifold and brackets so that the manifold shelf sits on top of the front panel (5) and the three holes in the manifold (1) are aligned with the three holes in the front panel shelf. Fasten front panel (5) and manifold assembly using three screws (6).

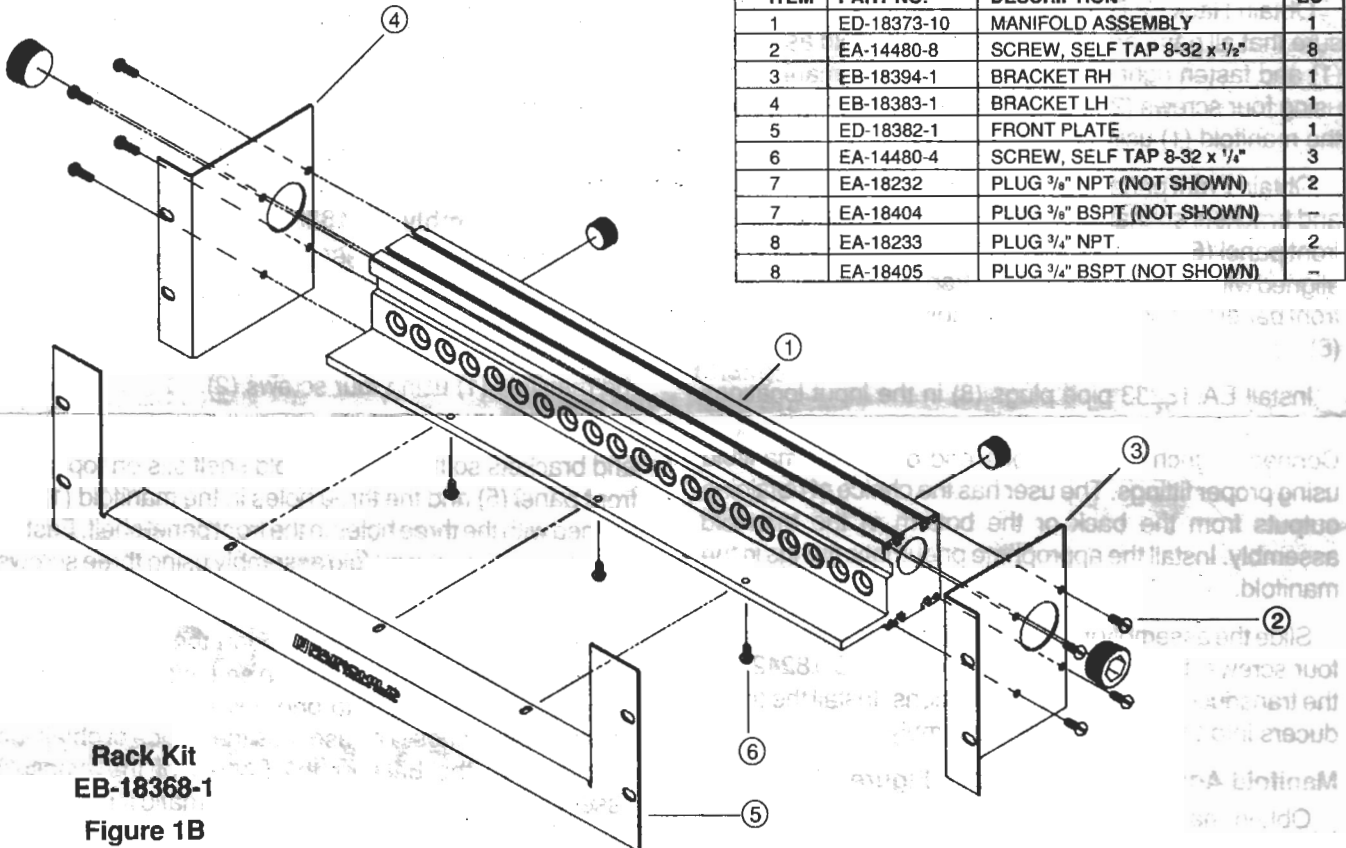
Install EA-18233 pipe plugs (8) in the input locations which will not be used. Use Teflon sealant on the threads. Connect  $\frac{3}{4}$  inch air line to one end of the manifold using proper fittings. The user has the choice of obtaining outputs from the back or the bottom of the manifold assembly. Install the appropriate pneumatic fittings in the manifold.

ITEM	PART NO.	DESCRIPTION	
1	ED-18373-10	MANIFOLD ASSEMBLY	1
2	EA-14480-8	SCREW, SELF TAP 8-32 x 1/2"	8
3	EB-18294-1	BRACKET RH	1
4	EB-18296-1	BRACKET LH	1
5	ED-18293-1	FRONT PLATE	1
6	EA-14480-4	SCREW, SELF TAP 8-32 x 1/4"	3
7	EA-18232	PLUG 3/8" NPT	2
8	EA-18233	PLUG 3/4" NPT	-



**Rack Kit  
EB-18340-1  
Figure 1A**

ITEM	PART NO.	DESCRIPTION	EC-
1	ED-18373-10	MANIFOLD ASSEMBLY	1
2	EA-14480-8	SCREW, SELF TAP 8-32 x 1/2"	8
3	EB-18394-1	BRACKET RH	1
4	EB-18383-1	BRACKET LH	1
5	ED-18382-1	FRONT PLATE	1
6	EA-14480-4	SCREW, SELF TAP 8-32 x 1/4"	3
7	EA-18232	PLUG 3/8" NPT (NOT SHOWN)	2
7	EA-18404	PLUG 3/8" BSPT (NOT SHOWN)	-
8	EA-18233	PLUG 3/4" NPT	2
8	EA-18405	PLUG 3/4" BSPT (NOT SHOWN)	-



**Rack Kit  
EB-18368-1  
Figure 1B**

Slide the assembly into rack or console and secure with four screws. Install manifold adapter kits EB-18242-1 to the transducer modules per instructions. Install the transducer into the rack/manifold assembly.

### Manifold Adaptor Kit Installation Figure 1C

Obtain Manifold Adaptor Kit EB-18242-1 and refer to installation details.

Obtain two EB-18150-1 Plugs (1) and two EB-130-012-1-70 O Rings (2) from the kit. Install O Ring on the plug and insert this assembly into each of the ports on the back of the TR6000 unit.

Obtain two EB-832-28 screws for the transducer unit. Remove two screws on the bottom front of the unit and insert the screws through the EB-18156-1 block and fasten to the bottom front of the TR6000 unit, making sure that the thread portion of the block faces to the front.

### CAUTION

**Do not remove the single screw at the bottom back of the transducer.**

Insert captive screw EB-18241-1 into the front of the block and thread through the mating threads. Plug the unit into the manifold assembly. Insert the captive screw into the tapped hole in the shelf of the manifold to hold the transducer in place.

### Electrical Connections

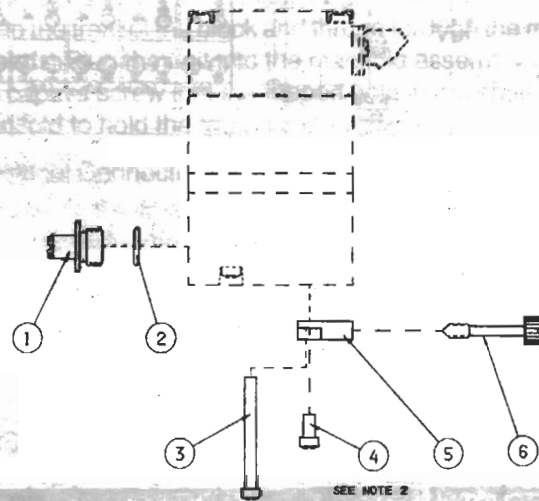
Refer to the Installation, Operation and Maintenance Instructions for the T6000 Series.

Figure 2 shows the outline dimensions of the TR6000 Rack after assembly. This is a composite drawing showing front panels for both the Standard Range and the Extended Range TR6000 transducers. It also includes dimensions for the right and left hand brackets.

1. THIS KIT CONTAINS ALL PARTS NECESSARY TO ADAPT A TR6000 TRANSDUCER TO THE T6000 MANIFOLD.

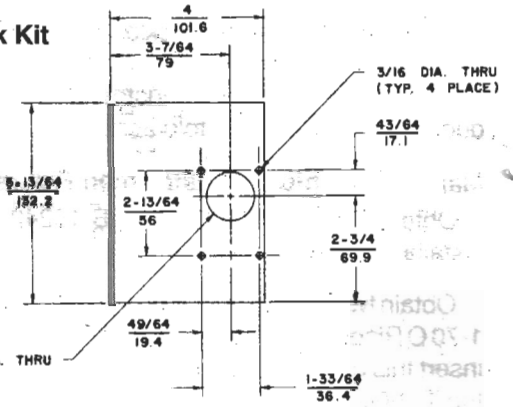
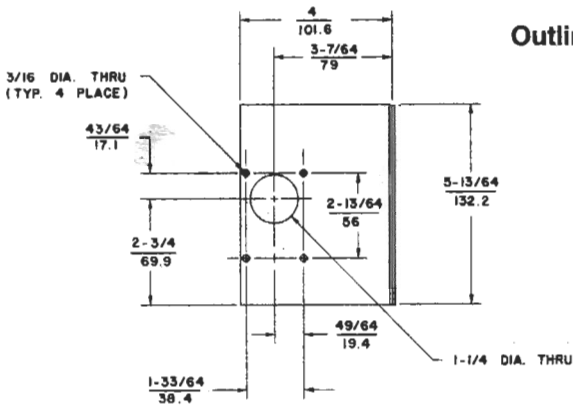
ITEM	PART NO.	DESCRIPTION	QTY
1	EB-18150-1	PLUG	2
2	EB-130-012-1-70	O-RING	2
3	EB-832-28	SCREW FIL HD 8-32 x 1 3/4	2
4	EB-832-5	SCREW FIL HD 8-32 x 5/16	2
5	EB-18156-1	BLOCK (SEE BITE 2)	1
6	EB-18241-1	CAPTIVE SCREW	1

Figure 1C

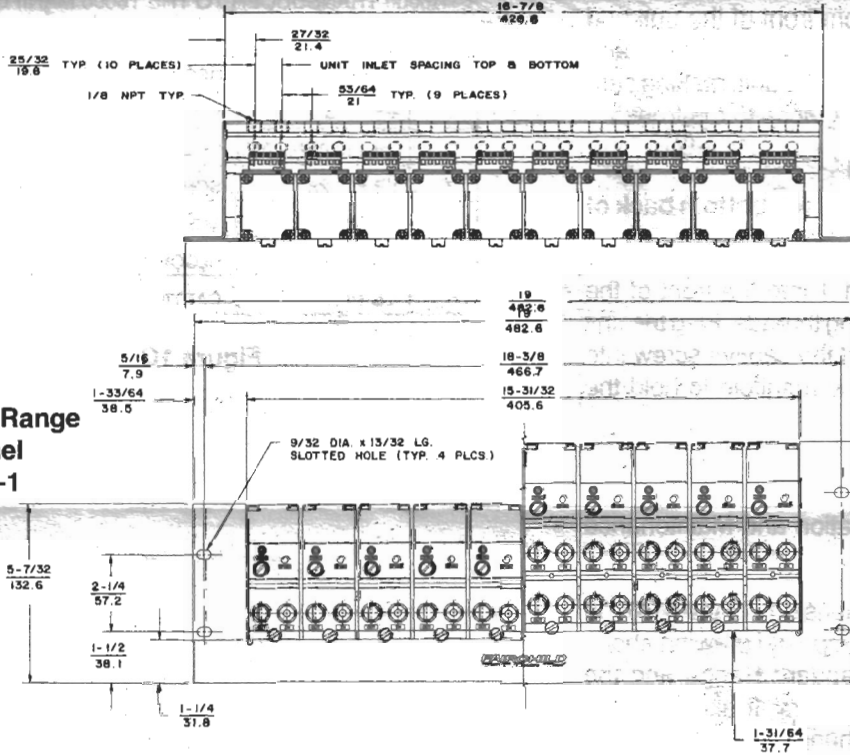


Manifold Adaptor Kit  
EB-18242-1

Outline Dimensions TR6000 Rack Kit



Standard  
Left and Right  
Rack Mounting Brackets  
EB-18340-1 Rack Kit

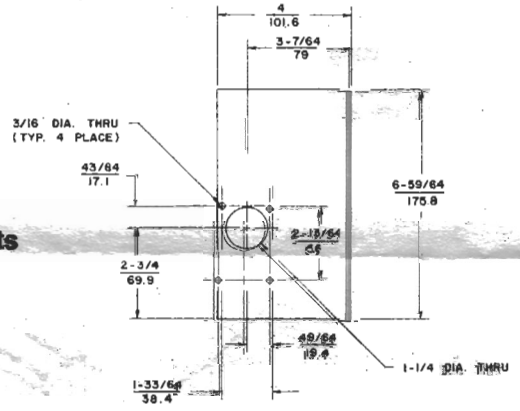
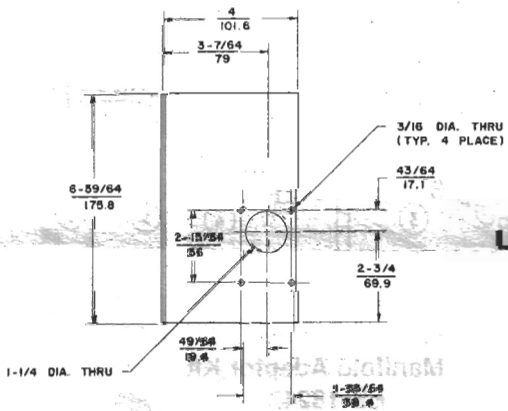


Standard Range  
Front Panel  
EB-18293-1

Extended Range  
Front Panel  
EB-18382-1

Figure 2

Extended Range  
Left and Right Hand Brackets  
EB-18368-1 Rack Kit



**FAIRCHILD**  
INDUSTRIAL PRODUCTS COMPANY

3920 WEST POINT BLVD. WINSTON-SALEM, NC 27103-6708  
Tel 919-659-3400 FAX 919-659-9323  
Telex 4614016