

INSTALLATION

The Model T7800 can be mounted directly onto a flat surface using two 10-32 Screws. For more information, see Figure 2. "TA7800 Outline Dimensions".

The Model T7800 is supplied with a Mounting Kit 16799-1 for Panel or Wall Mounting and a Mounting Bracket Kit 16893 for Din Rail Mounting. For more information, see Figure 3 and Figure 7.

An Optional Mounting Kit 19254-1 is available when installing the unit on a 2" pipe. For more information, see Figure 8. on page 3.

NOTE:

Part of the TDF17800/TD7800 enclosure is constructed on Non-Metallic material. To Prevent the risk of electrostatic sparking, the enclosure shall only be cleaned with a damp cloth. The TR7800 Transducer is designed for use with the TR Rack Kit. Physically, it is the same as the TT7800 (Terminal Block) Unit except that the terminal block has been rotated to the rear. For more information, see Figure 6. "TR7800 Outline Dimensions".

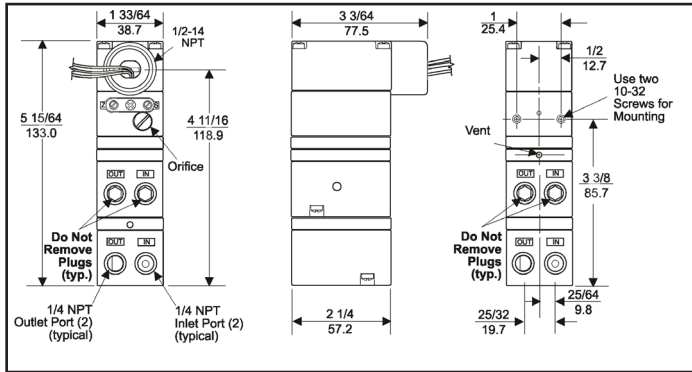


Figure 2. TA7800 Outline Dimensions.

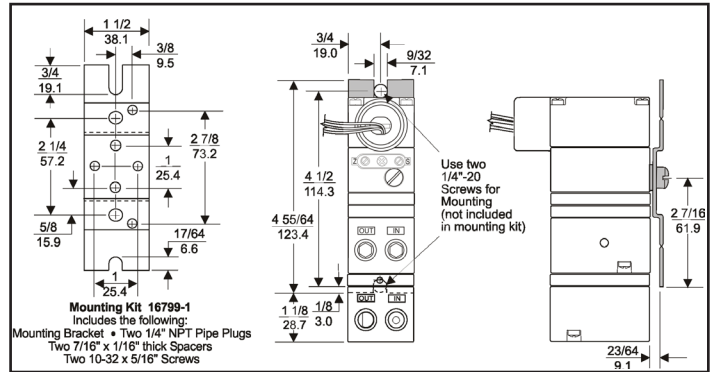


Figure 3. Mounting Kit 16799-1. (Included with Unit)

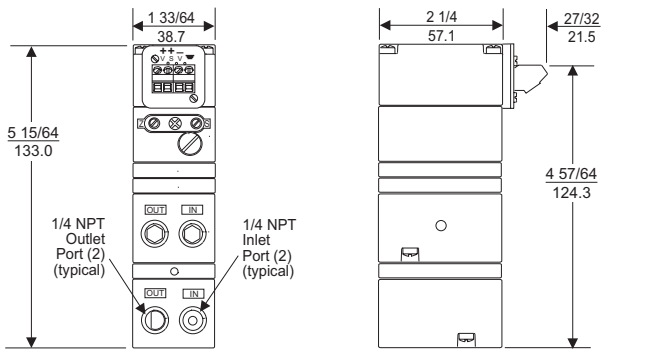


Figure 4. TT7800 Outline Dimensions

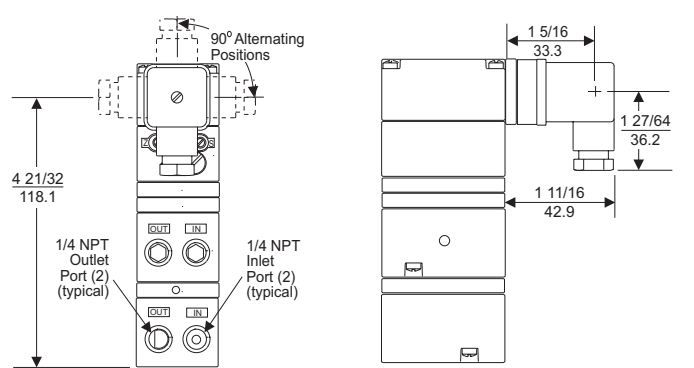


Figure 5. TD7800 Outline Dimensions.

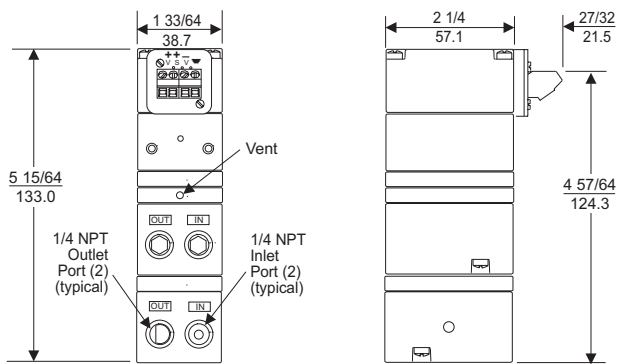


Figure 6. TR7800 Outline Dimensions.

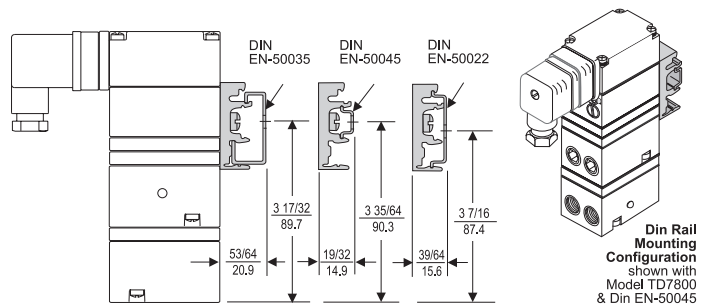


Figure 7. Din Rail Mounting Kit 16893 (Included with Unit)

Installation (continued)

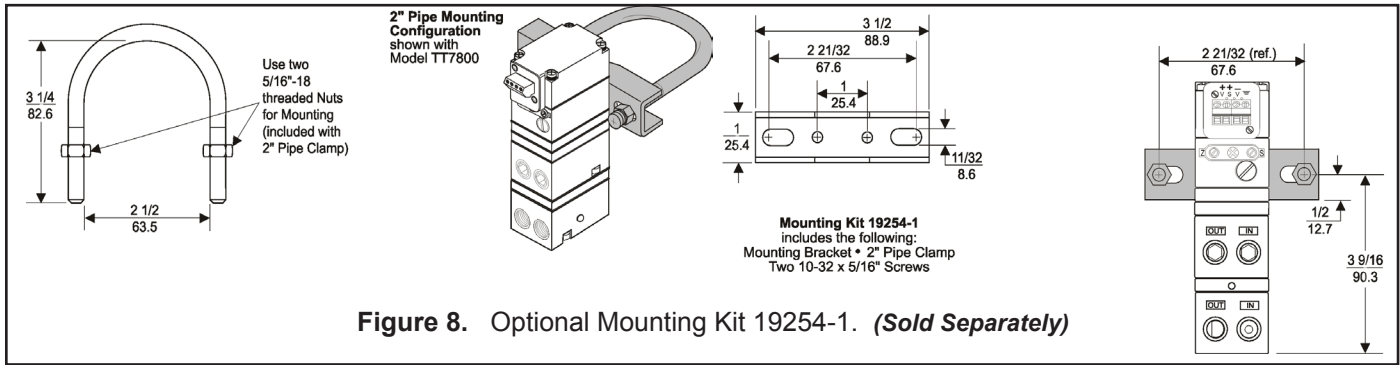


Figure 8. Optional Mounting Kit 19254-1. (Sold Separately)

Pneumatic Connections

Clean all pipelines to remove dirt and scale before installation.

Apply a minimum amount of pipe compound to the male threads of the fitting only. **Do Not use teflon tape as a sealant.** Start with the third thread back and work away from the end of the fitting to avoid the possibility of contaminating the transducer. Install the transducer in the air line.

The inlet and outlet ports, in the lower valve body, are labeled on the ends of the transducer. Tighten connections securely. Avoid undersized fittings that will limit the flow through the transducer and cause a pressure drop downstream. For more information, see Figure 2. "Outline Drawing" on page 2.

NOTE:

Instrument quality air, per ISA Standards S7.3-1981, is required. Use a filter to remove dirt and liquid in the air line ahead of the transducer for correct performance. If an air line lubricator is used, it **MUST** be located downstream, beyond the transducer.

The user is responsible for insuring that the environment in which the unit will be installed, and the operating gas, are compatible with the materials in the transducer.

Electric Connections

Make connections to the Terminal Block, Conduit Connector or the DIN Connector as shown below in Figure 9. "Electrical Connections".

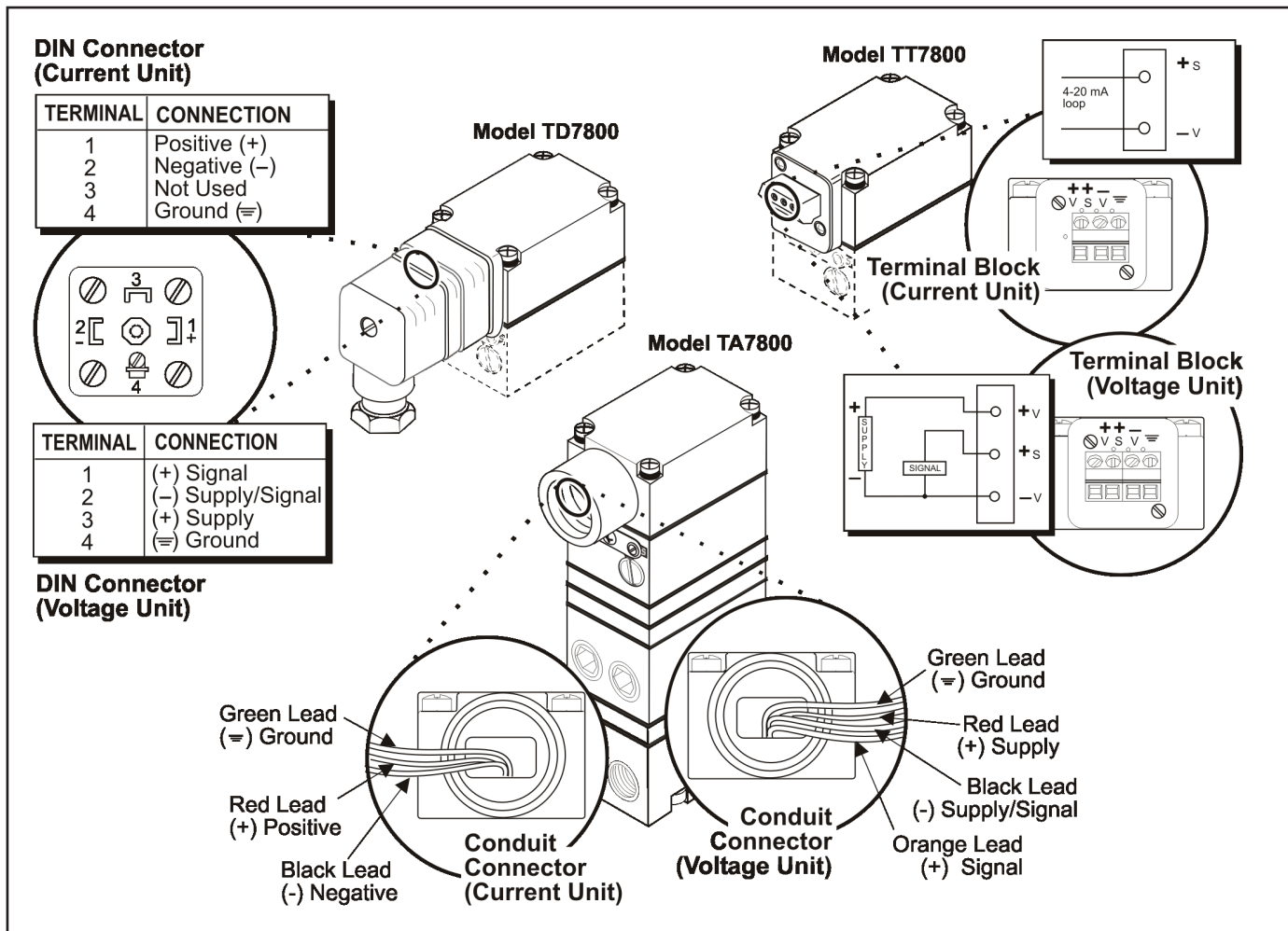


Figure 9. Electrical Connections.

CALIBRATIONS / ADJUSTMENTS

Equipment Required for Calibration:

- Pneumatic Supply capable of delivering up to 150 psig.
- Current Supply capable of delivering up to 30 mA.
- Pressure Gage capable of a digital readout up to 150 psig with an accuracy of .1%.
- Digital Volt Meter capable of a readout up to 30 mA with an accuracy of .02%.

The following adjustments are provided:

Full Range Operation
Lo/Hi Span
Forward/Reverse Mode
Calibration - Zero and Span
Split Range Operation
Damping Adjustments

FULL RANGE OPERATION

Lo/Hi Span Adjustment

1. Set the Lo/Hi Span Jumper to the **Hi** position for 0-30 psig, 0-60 or 0-120 psig output range. For more information, see Table 3. "Full Range Operation" on page 5.

Forward Acting Mode Adjustment

2. Set Fwd/Rev Mode Jumper to Forward position.
- **Forward Acting Calibration - Zero**
 3. Apply the minimum input signal and adjust the Zero screw for minimum output pressure.
 - **Forward Acting Calibration - Span**
 4. Apply the maximum input signal and adjust the Span screw for maximum output pressure.
 5. Repeat steps 3-4 until the desired output range is obtained.

Reverse Acting Mode Adjustment

- NOTE: DO NOT reverse the input leads.**
6. Set Fwd/Rev Mode Jumper to the Reverse position
- **Reverse Acting Calibration - Zero**
 7. Apply the maximum input signal and adjust the Zero screw for minimum output pressure.
 - **Reverse Acting Calibration - Span**
 8. Apply the minimum input signal and adjust the Span screw for maximum output pressure.
 9. Repeat steps 7-8 until the desired output range is obtained.

SPLIT RANGE OPERATION

Lo/Hi Span Adjustment

1. Set the Lo/Hi Span switch to the **Lo** position for 0-15 psig, 15-30 psig, 0-30 psig, 30-60 psig, 0-60 psig, or 60-120 psig, output range. For more information, see Table 4. "Split Range Operation" on page 5.

Forward Acting Mode Adjustment

2. Set Fwd/Rev Mode Jumper to the Forward position.
- **Forward Acting Calibration - Zero**
 3. Apply the minimum input signal and adjust the Zero screw for minimum output pressure.
 - **Forward Acting Calibration - Span**
 4. Apply the maximum input signal and adjust the Span screw for maximum output pressure.
 5. Repeat steps 3-4 until the desired output range is obtained.

Reverse Acting Mode Adjustment

- NOTE: DO NOT reverse the input leads.**
6. Set Fwd/Rev Mode Jumper to the Reverse position.
- **Reverse Acting Calibration - Zero**
 7. Apply the maximum input signal and adjust the Zero screw for minimum output pressure.
 - **Reverse Acting Calibration - Span**
 8. Apply the minimum input signal and adjust the Span screw for maximum output pressure.
 9. Repeat steps 7-8 until the desired output range is obtained.

Additional Adjustments

• Damping Adjustment

The Damping Adjustment is used so that the transducer can be tuned for optimum response and stability in a particular application.

For best performance start Damping Adjustment at maximum adjustment (fully clockwise). Gradually turn counterclockwise until slight oscillation occurs and then turn back clockwise until oscillation is minimized. For more information, see Figure 10. "T7800 Calibration Configuration"

1. Turn Damping Adjustment clockwise to increase damping function.
2. Turn Damping Adjustment counterclockwise to decrease damping function.

Calibrations / Adjustments (continued)

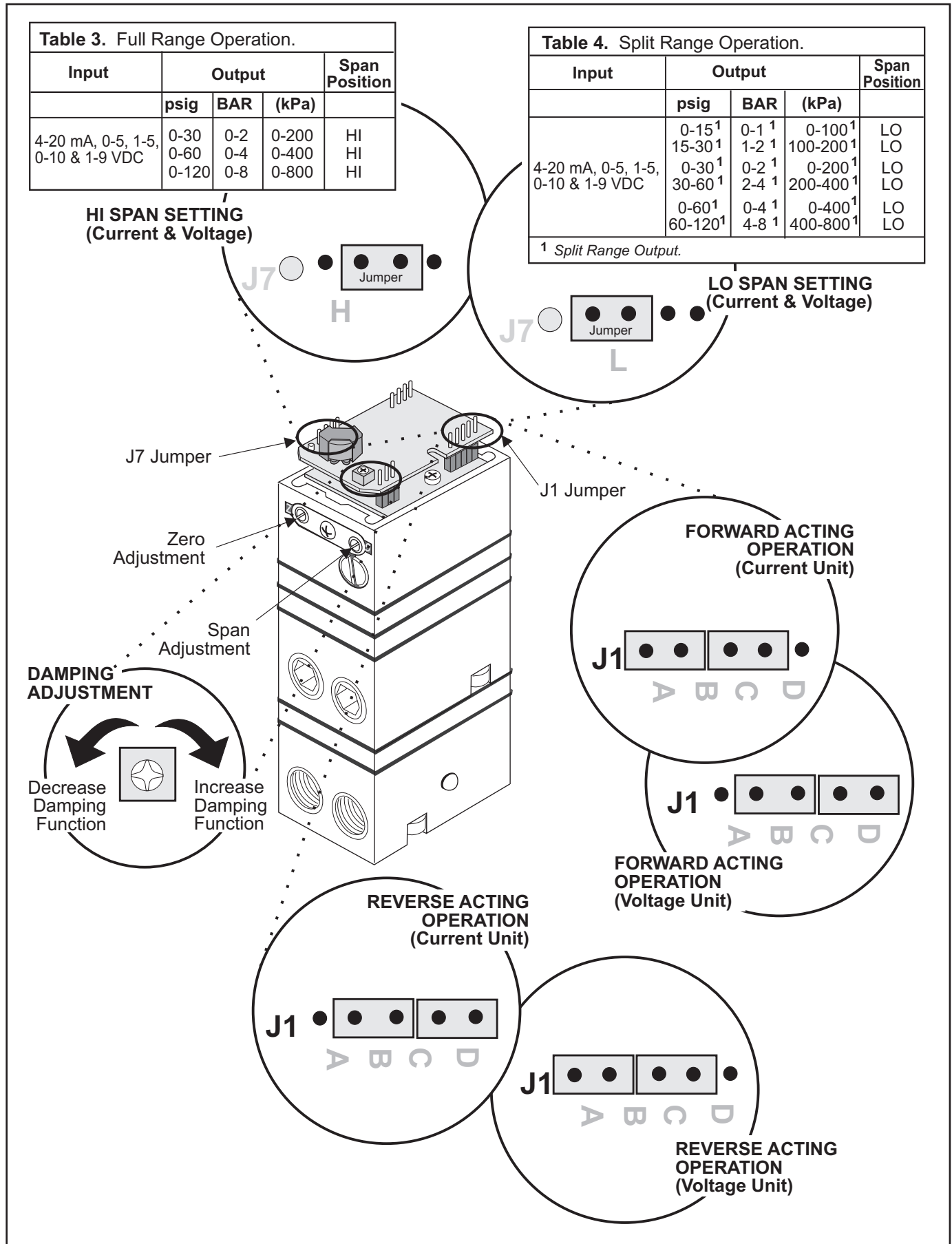


Figure 10. T7800 Calibration Configuration.

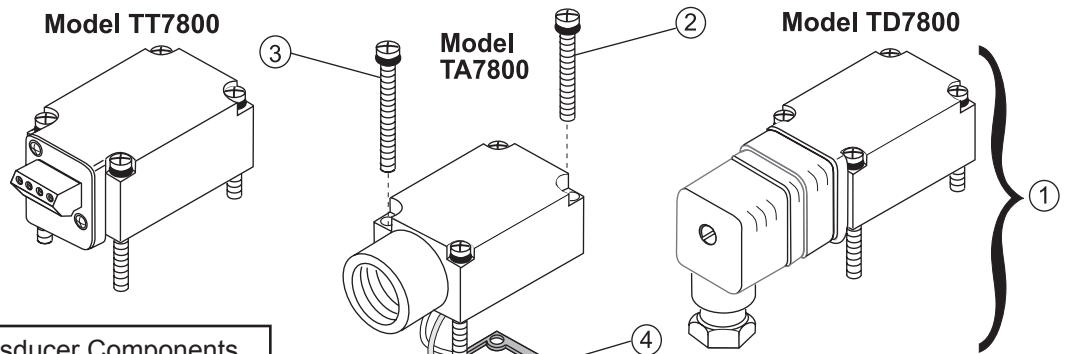
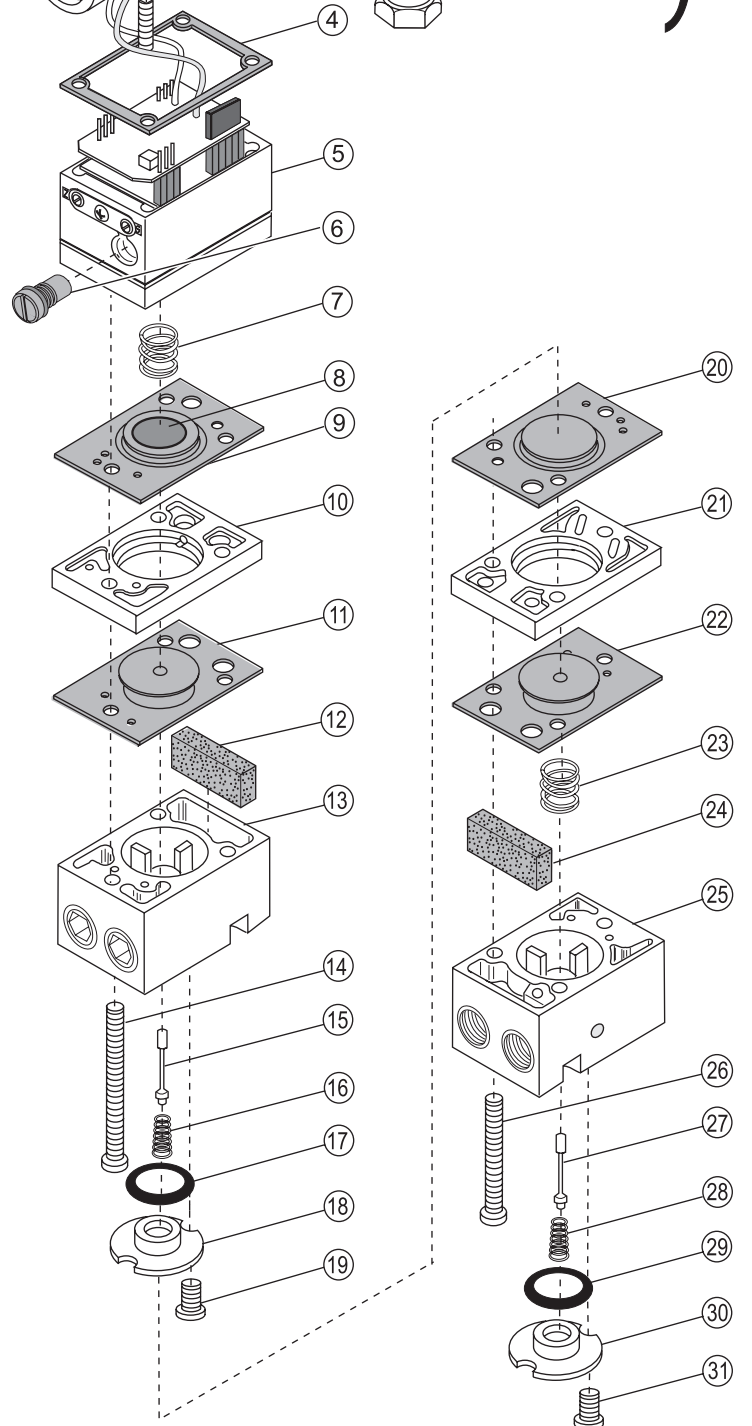


Table 5. T7800 Transducer Components.

Item	Qty.	Description
1	1	Cover, Machining
2	2	Screw
3	2	Screw
4 ¹	1	Gasket
5	1	Nozzle Body Assembly
6 ²	1	Orifice Assembly
6 ³	1	Orifice Assembly
6 ⁴	1	Orifice Assembly
7	1	Spring
8 ¹	1	Disk
9 ¹	1	Diaphragm
10	1	Spacer Ring
11 ¹	1	Diaphragm Assembly
12 ¹	1	Foam Block
13	1	Valve Body Assembly
14	3	Screw
15	1	Pintle
16	1	Spring, Pintle
17 ¹	1	O-Ring
18	1	Plug
19	2	Screw
20 ¹	1	Diaphragm
21	1	Spacer Ring
22 ²	1	Diaphragm Assembly
22 ⁵	1	Diaphragm Assembly
23	1	Spring
24 ¹	1	Foam Block
25	1	Valve Body Assembly
26	3	Screw
27	1	Pintle
28	1	Spring, Pintle
29 ¹	1	O-Ring
30	1	Plug
31	2	Screw



¹ For All Service Kits.

² 19267-4 Service Kit Components Only.
0-30 psig, [0-2.0 BAR], (0-200 kPa)

³ 19267-5 Service Kit Components Only.
0-60 psig, [0-4.0 BAR], (0-400 kPa)

⁴ 19267-6 Service Kit Components Only.
0-120 psig, [0-8.0 BAR], (0-800 kPa)

⁵ 19267-5 & EA-19267-6 Service Kit
Components Only.

Figure 11. Exploded Drawing.

MAINTENANCE

To clean the Orifice, use the following procedure:

1. Shut off the valve that is supplying air to transducer. **It is not necessary to remove the Transducer from the air line.**
2. Remove the Orifice Assembly (6) from the unit. For more detailed information see Figure 11. "Exploded Drawing" on page 6.
3. Clean with alcohol and dry with compressed air.

NOTES:

Parts must be completely dry before reassembling.

If the standard maintenance procedure does not correct the trouble, install Service Kit.

HAZARDOUS AREA CLASSIFICATION

FM (Factory Mutual) Approvals:

Intrinsically Safe:

Catalog Versions: TAFI7800, TDFI7800
Class I,II,III Div 1 Groups CDEFG T4
ED-18970; Entity
I/O AEx ia IIB T4
-40°C to +80°C

Non-Incendive:

Class I,II,III Div 2 Groups ABCDEFG T6
ED-18970; NIFW
-40°C to +80°C
Enclosure Type 4X

Intrinsically Safe:

Catalog Versions: TTFI7800, TRFI7800
Class I,II,III Div 1 Groups CD T4
ED-18970; Entity
I/O AEx ia IIB T4
-40°C to +80°C

Non-Incendive:

Class I,II,III Div 2 Groups ABCD T6
ED-18970; NIFW
-40°C to +80°C

Entity Parameters	
$V_{max}^1 = 28VDC$	$C_i^4 = 12nF$
$I_{max}^2 = 100mA$	$L_i^5 = 0mH$
$P_{max}^3 = 0.7W$	
$^1V_{max} = \text{Maximum Voltage}$	$^4C_i = \text{Capacitance}$
$^2I_{max} = \text{Maximum Current}$	$^5L_i = \text{Inductance}$
$^3P_{max} = \text{Maximum Power}$	

Nonincendive Field Wire Parameters (NIFW)	
$V_{max}^1 = 30VDC$	$C_i^3 = 0uF$
$I_{max}^2 = 120mA$	$L_i^4 = 0mH$
$^1V_{max} = \text{Maximum Voltage}$	$^3C_i = \text{Capacitance}$
$^2I_{max} = \text{Maximum Current}$	$^4L_i = \text{Inductance}$

TROUBLE-SHOOTING

Table 6. Trouble-Shooting.

Problem	Solution (check)
No Output	Supply Pressure Clogged Orifice
Leakage	Connections
Low or Improper Span Adjust	Zero and Span Adjust Supply Pressure Low Output Leakage
Erratic Operation	DC Signal Loose Wires or Connections Liquid in Air Supply

WARNING: Failure of Transducer could result in output pressure increasing to supply pressure possibly causing personal injury or damage to equipment.

CSA (Canadian Standards Association) Approvals:

Intrinsically Safe: (4-20 mA only) **(TDCI7800, TACI7800)**

Class I, Division 1, Groups C and D;
Class II, Division 1, Groups E, F, and G;
Type 4 Enclosure;
Rated 4-20 mA, 30 VDC Maximum;
Temperature Code T6.

(TTCI7800, TRCI7800)

Class I, Division 1, Groups C and D;
Temperature Code T6.

Approvals are valid when connected through a Shunt Zener Diode Safety Barrier meeting the following parametric requirements:

System Type 1:	Single Channel Polarized Rated: 28.5V Max. 300 Ohm Min.
System Type 2:	Dual Channel Polarized Rated: 28.5V Max. 300 Ohm Min. and 10V Max. 50 Ohm Min.
System Type 3:	Dual Channel Polarized Rated: 28.5V Max. 300 Ohm Min. and 28V Diode return per channel.

Division 2 Approvals: (4-20 mA only) **(TDCI7800, TTCI7800, TRCI7800)**

Class I, Division 2, Groups A, B, C and D;
Rated 4-20 mA, 30 VDC Maximum;
Temperature Code T6.

(TACI7800)

Class I, Division 2, Groups A, B, C and D;
Class II, Division 2, Groups E, F, and G;
Type 4 Enclosure;
Rated 4-20 mA, 30 VDC Maximum;
Temperature Code T6.

**HAZARDOUS AREA CLASSIFICATION
CONTINUED ON THE NEXT PAGE**

HAZARDOUS AREA CLASSIFICATION CONTINUED

ATEX Approvals:

Intrinsically Safe: (4-20 mA only)

Catalog Version: TAEI7800, TDEI7800

Sira 02ATEX2013X

Ex ia IIB T4 Ga (Ta = -40°C to +80°C)  II 1G (T4)

Ex ia IIIC T90°C Da (Ta = -40°C to +80°C) II 1D (T90°C)

Enclosure IP65

Catalog Versions: TTEI7800, TREI7800

Ex ia IIB T4 Ga (Ta = -40°C to +80°C)  II 1G (T4)

IECEx Approvals:

IECEx SIR 08.0130X

Catalog Version: TAEI7800, TDEI7800

Ex ia IIB T4 Ga (Ta = -40°C to +80°C)

Ex ia IIIC T90°C Da (Ta = -40°C to +80°C)

Enclosure IP65

Catalog Versions: TTEI7800, TREI7800

Ex ia IIB T4 Ga (Ta = -40°C to +80°C)

Wiring in Hazardous Areas

Wiring in hazardous areas should be performed in accordance with Table 1, and any local codes that apply.

Country	Agency	Code
U.S.	FM	ANSI/ISA RP 12.6 ANSI/NFPA 70 (NEC ®)
Canada	CSA	CED Part 1
Europe	ATEX	EN 50 039, EN 60079-14, IEC 60079-14

Intrinsically Safe Connections

Refer to the latest revision of the indicated drawing.

Underwriting Group	Drawing Number
FM (Factory Mutual)	EC-18970
CSA (Canadian Standards)	EC-18971
ATEX	EC-18972

Transducer Parameters		ATEX, IECEx	
U _{max} ¹ (U _i)	28 V	W _{max} ³ (W _i)	0.7 W
I _{max} ² (I _i)	100 mA	C _{eq} ⁴ (C _i)	12.nF
		L _{eq} ⁵ (L _i)	0
¹ U _{max} = Maximum Voltage		³ W _{max} = Maximum Power	
² I _{max} = Maximum Current		⁴ C _{eq} = Capacitance	
		⁵ L _{eq} = Inductance	



HAZARDOUS LOCATIONS

Special Conditions for Safe Use - WARNINGS

- Under certain extreme circumstances, the non-metallic parts incorporated in the enclosure of equipment, TDEI7800 series may generate an ignition-capable level of electrostatic charge. Therefore the equipment shall not be installed in a location where the external conditions are conducive to the build-up of electrostatic charge on such surfaces. This is particularly important if the equipment is installed in a Zone 0/Division 1 location. In addition, the equipment shall only be cleaned with a damp cloth. This is particularly important if the equipment is installed in a Zone 0/Division 1 location.
- The enclosure of the equipment; TD_I7800 series contains non-metallic materials that shall be protected from UV light (for example, daylight or light from luminaries) when installed.
- The enclosure of equipment; TD_I7800 and TA_I7800 series are manufactured from aluminum alloy. In rare cases, ignition sources due to impact and friction sparks could occur. This shall be considered during installation, particularly if the equipment is installed in a Zone 0/Division 1 location.
- The enclosure of equipment; TD_I7800 and TA_I7800 series are capable of withstanding only low risk of mechanical danger and hence additional protection shall be provided to ensure that it cannot be subjected to extreme mechanical stress.
- The DIN socket connected to TD_I7800 series shall comply with IP65 requirements.
- The conduit connected to the enclosure of TA_I7800 shall maintain the IP65 requirements of the enclosure.
- TT_I7800 and TR_I7800 shall be installed in an enclosure that maintains an ingress protection rating of at least IP20/NEMA 1 and meet the enclosure requirements of IEC 60079-0 for Group II equipment.

LEGAL NOTICE:

The information set forth in the foregoing Installation, Operation and Maintenance Instructions shall not be modified or amended in any respect without prior written consent of Fairchild Industrial Products Company. In addition, the information set forth herein shall be furnished with each product sold incorporating Fairchild's unit as a component thereof.

FAIRCHILD T7800 ERWEITERTER BEREICH MINIATUR-ELEKTRO-PNEUMATIK-WANDLER Installations-, Betriebs- und Wartungshandbuch

Identifikationsnummer T 7800 -

Elektrische Anschlüsse

- Elektrische Anschlüsse (A)
- Montagesatz mit Anschlusskabel
- Ausführung mit Klemmleistenblock (T)
- Kabelanschluss nach DIN 43650 (D)
- Gehäuseanbausatz mit gedrehten Klemmleistenblock (R)

Konsortium

- Factory Mutual (F)
- Canadian Standard (C)
- ATEX (E)

Zulassungsklassen

- Ausführung Eigensicher¹ (I)
- Nicht zündfähig (Divisione)² (N)

Eingang

4-20 mA	(4)
1-5 VDC	(5)
0-5 VDC	(7)
1-9 VDC	(9)
0-10 VDC	(0)

Ausgang

Wählen Sie die entsprechende psig, [BAR] a (kPa)

0-30 psig	(04)
0-60 psig	(05)
0-120 psig	(06)
[0-2.0 BAR]	(14)
[0-4.0 BAR]	(15)
[0-8.0 BAR]	(16)
(0-200 kPa)	(24)
(0-400 kPa)	(25)
(0-800 kPa)	(26)

¹ Zulassung Eigensicherheit inkl. Nicht zündfähig (Einteilung 2), nur bei Geräten mit 4-20 mA.
² Nicht zündfähig (Einteilung 2), Zulassung nur für Geräte mit FM-Spannungseingang.

Abbildung 1. Modell T7800 mit Typenschlüssel - System

ALLGEMEINE INFORMATIONEN

Der Elektro-Pneumatik-Wandler Modell T7800 wandelt ein DC-Eingangssignal in einen linear proportionalen pneumatischen Ausgangsdruck um.

SPEZIFIKATIONEN

Leistungsmerkmale							
Genauigkeit (ISA S51.1)	Messgenauigkeit +/- 0,25% Messgenauigkeit +/- 0,15%						
Hysterese (ISA S51.1)	0,25% Messgenauigkeit						
Totzone	0,02% Messgenauigkeit						
Wiederholgenauigkeit (ISA S51.1)	0,1% Messgenauigkeit						
Positionsgenauigkeit	0,125% @ 90° & 0,25% @ 180°						
Vibrationsgenauigkeit	Unterhalb ±1 % der Spannweite bei folgenden Bedingungen: 5-15 Hz bei 0,8 Inch sowie 15-500 Hz bei 10 g's.						
Schutz bei falscher Polarität	Bei einer Umkehr des normalen Versorgungsstroms (4-20 mA) oder bei Fehlanwendung von bis zu 60 mA entsteht kein Schaden.						
RFI/EMI-Effekt	Unter 0,5 % der Spannweite bei 30 v/m Klasse 3 Band ABC (20 bis 1000 mHz) gemäß SAMA PMC 33,1 1978 und unter 0,5 % der Spannweite bei 10 v/m Ebene, bis 2 Ghz Band gemäß EN 61000-4-3: 1998+A1 EMV-Richtlinie 2014/30/EU Europäischer Standard EN61326.						
Versorgungsdruck	0,1 psig Änderung bei 10 psig Versorgungsänderung						
Temperatureffekt	±[0,5% +0,06% /F° Temperaturänderung] typisch zur Spannweite						
Frequenzverlauf	<table style="width: 100%; border-collapse: collapse;"> <tr> <th style="text-align: center;">psig [BAR] (kPa)</th> <th style="text-align: center;">psig [BAR] (kPa)</th> <th style="text-align: center;">psig [BAR] (kPa)</th> </tr> <tr> <td style="text-align: center;">0-30 [0-2.0] (0-200)</td> <td style="text-align: center;">0-60 [0-4.0] (0-400)</td> <td style="text-align: center;">0-120 [0-8.0] (0-800)</td> </tr> </table>	psig [BAR] (kPa)	psig [BAR] (kPa)	psig [BAR] (kPa)	0-30 [0-2.0] (0-200)	0-60 [0-4.0] (0-400)	0-120 [0-8.0] (0-800)
	psig [BAR] (kPa)	psig [BAR] (kPa)	psig [BAR] (kPa)				
0-30 [0-2.0] (0-200)	0-60 [0-4.0] (0-400)	0-120 [0-8.0] (0-800)					
-3 db bei 2 Hz gemäß ISA S26.4.3.1 Lastkonfiguration A.							
Konstruktionsmaterialien	Korpus und Gehäuse Chromatisiertes Aluminium Düse vernickeltes Messing und Saphir Verkleidung..... Edelstahl-Messing und verzinkter Stahl Elastomere..... Nitril Beschichtung Epoxidpulverbeschichtung						

Funktionsmerkmale			
	psig [BAR] (kPa)	psig [BAR] (kPa)	psig [BAR] (kPa)
Ausgangsbereich	0-30 [0-2.0] (0-200)	0-60 [0-4.0] (0-400)	0-120 [0-8.0] (0-800)
Eingangsbereich	4-20 mA DC, 0-10 VDC, 1-9 VDC, 0-5 VDC, 1-5 VDC		
Versorgungsdruck¹	35-150 [2.5-10] (250-1000)	65-150 [4.6-10] (460-1000)	125-150 [8.8-10] (880-1000)
Mindestspannweite	12.5 [0.85] (85)	25 [1.5] (150)	50 [3.0] (300)

¹Der Versorgungsdruck muss mindestens 5 psig [0,35 BAR], (35 kPa) über dem maximalen Ausgang sein.

Luftverbrauch	Sollwert				
	0 psig [0 BAR] (0 kPa)	15 psig [1.0 BAR] (100 kPa)	30 psig [2.0 BAR] (200 kPa)	60 psig [4.0 BAR] (400 kPa)	120 psig [8.0 BAR] (800 kPa)
0-30 psig SCFH	3.1 (.09 m³/HR)	7.81 (.22 m³/HR)	11.8 (.33 m³/HR)		
0-60 psig SCFH	1.6 (.04 m³/HR)	4.7 (.13 m³/HR)	7.8 (.22 m³/HR)	13.3 (.37 m³/HR)	
0-120 psig SCFH	0.5 (.01 m³/HR)		3.8 (.11 m³/HR)	7.6 (.21 m³/HR)	15.1 (.42 m³/HR)
Durchflussrate SCFM	11,0 (18,7m³ / HR) bei 150 psig, [10 BAR], (1000 kPa) Versorgung und mittlere Leistung				
Temperaturbereich	Betriebstemperatur -40°F a +160°F (-40°C a +71.2°C) Lagertemperatur -40°F a +180°F (-40°C a +82.2°C)				
Spannweite / Nullpunkteinstellungen	Nullpunktjustierung an der Vorderseite des Gerätes mittels Schraubendreher				
Erforderliche Betriebsspannungen	Stromeingang zweiseitig 7.2 VDC a 20 mA (4-20 mA signal)				
Versorgungsspannung	Spannungseingang dreiseitig 7-30 VDC, unter 3 mA				
Signalimpedanz	Spannungseingang dreiseitig 10 K Ohm				

INSTALLATION

Das Modell T7800 kann direkt mit zwei 10-32 x 5/16" -Schrauben auf eine flache Oberfläche montiert werden. Nähere Angaben finden Sie in Abbildung 2. "Außenabmessungen TA7800".

Im Lieferumfang des Modells T7800 ist ein Montagebausatz 16799-1 zur Brett- oder Wandmontage und ein Montagewinkelbausatz 16893 für die Montage der DIN-Schienen enthalten. Nähere Angaben finden Sie in Abbildung 3 und Abbildung 7.

Für die Installation des Geräts auf ein 2"-Rohr gibt es optional einen Montagebausatz 19254-1. Nähere Angaben finden Sie in Abbildung 8 auf Seite 3.

HINWEIS:

Ein Teil des Gehäuses von TDF17800/TD7800 ist auf nichtmetallischem Material gebaut. Zur Vermeidung von elektrostatischer Funkenbildung darf das Gehäuse nur mit einem feuchten Tuch gereinigt werden. Der Wandler T7800 ist für die Verwendung mit einem TR-Rack-Bausatz ausgelegt. Physisch ist der Wandler mit dem TT7800 (Gerät mit Klemmleiste) identisch; jedoch ist die Klemmleiste nach hinten gedreht. Nähere Angaben finden Sie in Abbildung 6. "Außenabmessungen TR7800".

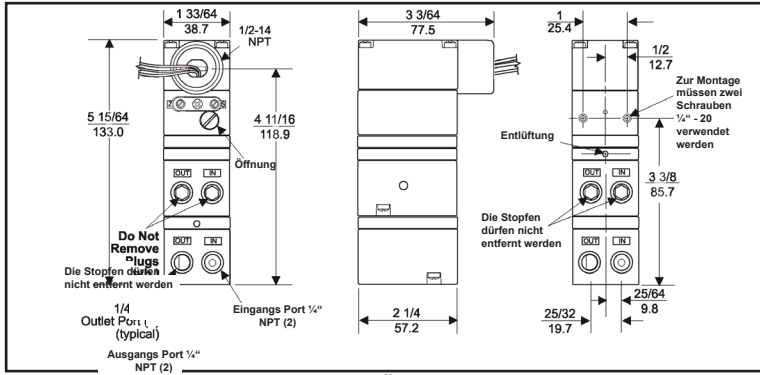


Abbildung 2. TA7800 Äußere Abmessungen

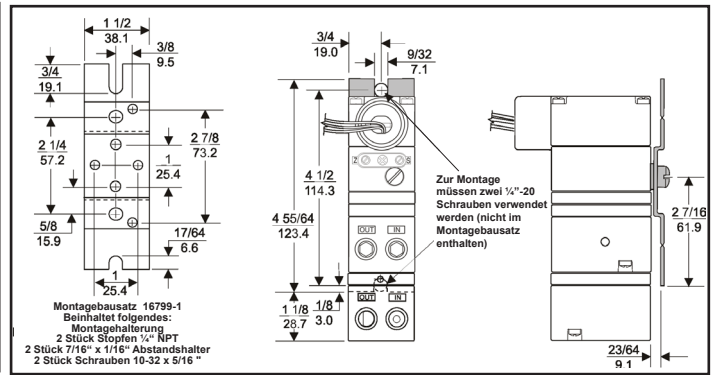


Abbildung 3. Montagebausatz 16799-1 (im Gerät enthalten)

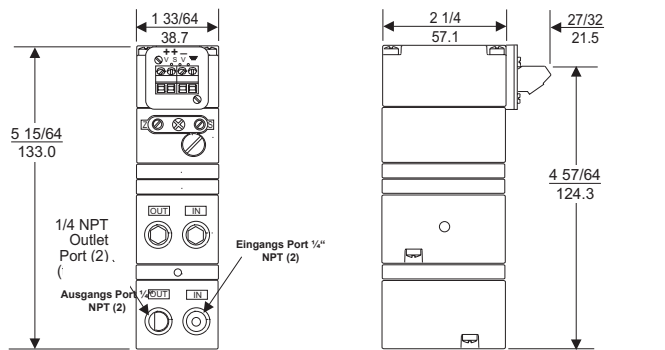


Abbildung 4. TT7800 Äußere Abmessungen

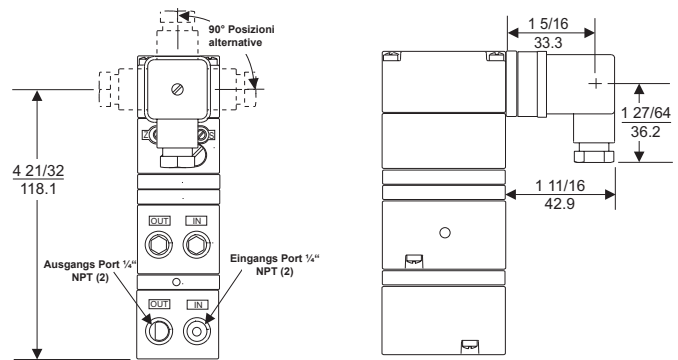


Abbildung 5. TD7800 Äußere Abmessungen

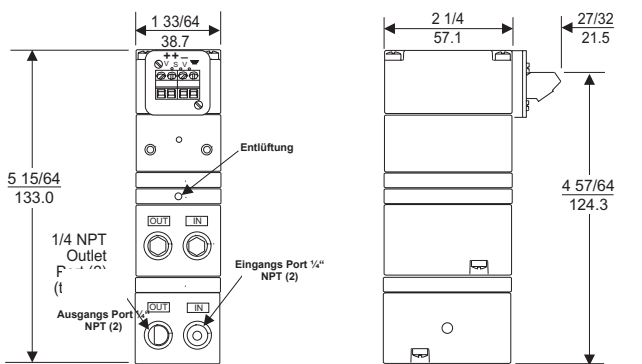


Abbildung 6. TR7800 Äußere Abmessungen

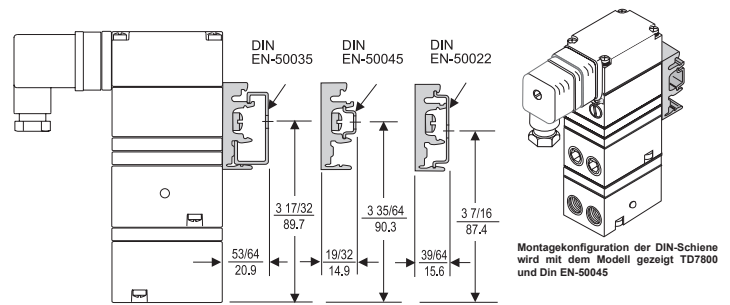
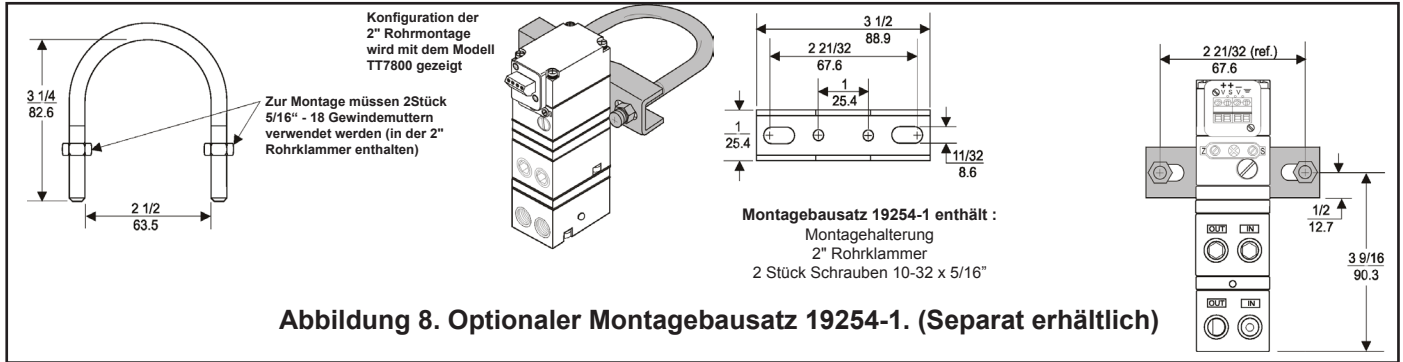


Abbildung 7. Montagebausatz für DIN-Schiene 16893 (im Gerät enthalten)

Installation (Fortsetzung)



Pneumatikanschlüsse

Reinigen Sie vor dem Einbau alle Rohre und entfernen Sie diese von Schmutz und Ablagerungen.

Versehen Sie lediglich die Außengewinde der Verschraubung mit etwas Rohrpaste. Verwenden Sie kein Teflonband zur Abdichtung. Beginnen Sie mit dem dritten Gewinde von Hinten und arbeiten Sie sich vom Ende der Verschraubung weg, um mögliche Verunreinigungen des Wandlers zu vermeiden. Installieren Sie den Wandler an der Luftleitung.

Die Einlass- und Auslassöffnungen im unteren Ventilelement sind an den Seiten des Wandlers beschriftet. Ziehen Sie die Anschlüsse fest. Verwenden Sie keine zu kleinen Verschraubungen, die den Durchfluss durch den Wandler einschränken und einen Druckverlust stromabwärts verursachen. Nähere Angaben finden Sie in Abbildung 2. "Außenabmessungen" auf Seite 2.

HINWEIS:

Luft mit Gerätequalität gemäß ISA-Norm S7.31981 erforderlich. Verwenden Sie zum ordnungsgemäßen Betrieb vor dem Wandler einen Filter, der Verunreinigungen und Flüssigkeiten in der Luftleitung entfernt. Bei Verwendung einer Schmiervorrichtung für die Luftleitung MUSS diese dem Wandler nachgelagert angebracht werden.

Der Benutzer muss sicherstellen, dass die Umgebung, in der das Gerät installiert wird, und das Betriebsgas mit den Materialien im Wandler kompatibel sind.

Elektroanschlüsse

Die Anschlüsse zur Klemmleiste, zu den Kabelanschlüssen oder zum DIN-Stecker müssen gemäß Abbildung 9 durchgeführt werden. "Elektroanschlüsse"

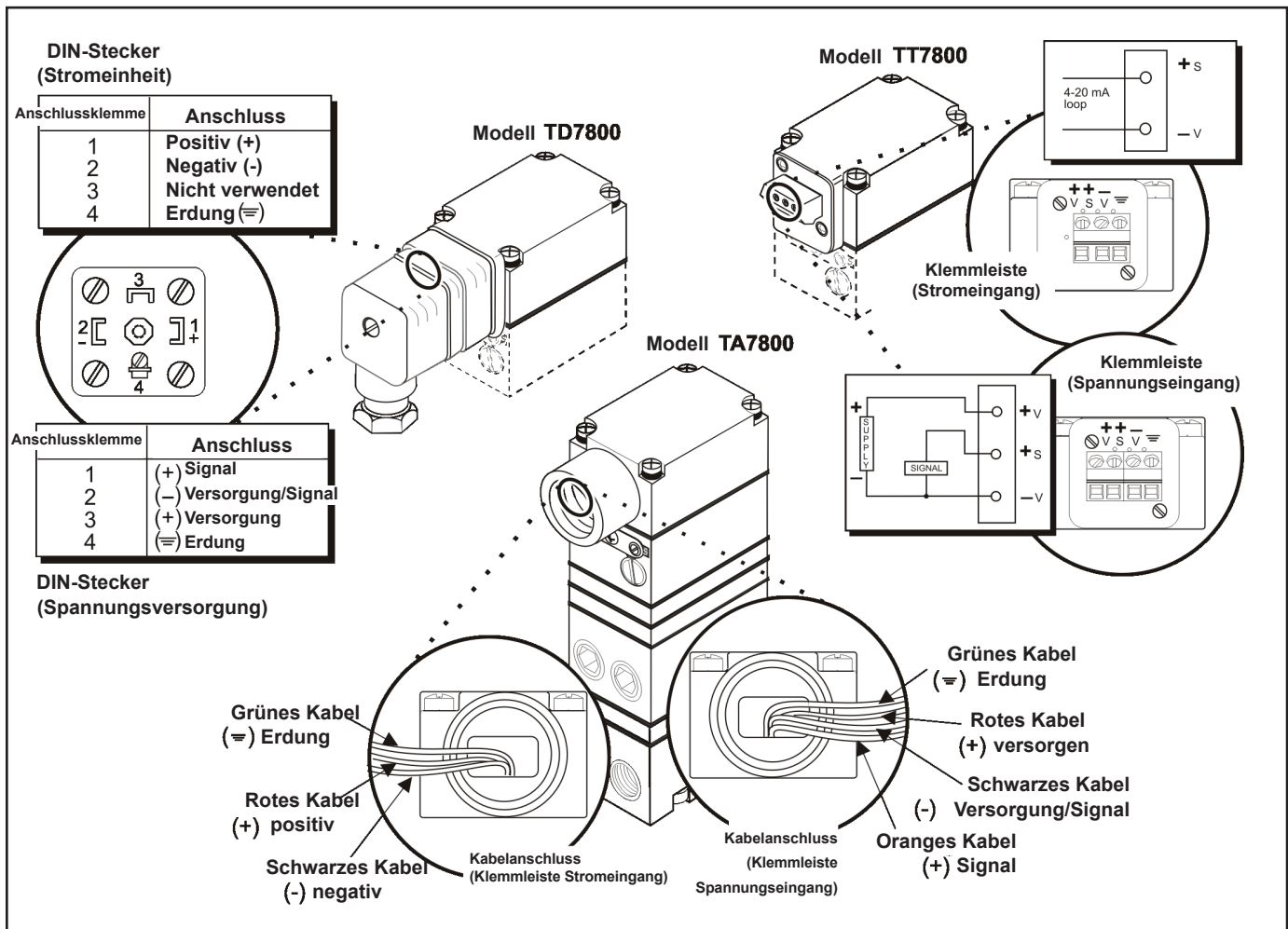


Abbildung 9. Elektroanschlüsse

KALIBRIERUNG / ANSCHLÜSSE

Für die Kalibrierung erforderliche Ausrüstung:

- Pneumatikanschluss, ausgelegt für bis zu 150 psig.
- Stromanschluss, ausgelegt für bis zu 30 mA.
- Druckmessgerät, ausgelegt für die digitale Anzeige von bis zu 150 psig mit einer Genauigkeit von 0,1%.
- Digitaler Spannungsmesser, ausgelegt für die digitale Anzeige von bis zu 30 mA mit einer Genauigkeit von 0,02%.

Hauptbetrieb/Betriebsbereitschaft

Hauptbetrieb/Betriebsbereitschaft
Niedrige/hohe Spannweite
Vorwärts-/Rückwärts-Modus
Kalibrierung - Nullpunkt und Spannweite
Teilbereichsauswahl - Betrieb
Einstellen der Dämpfung

Hauptbetrieb/Betriebsbereitschaft

Einstellen der niedrigen/hohen Spannweite

1. Bei einem Ausgangsbereich von 0-30 psig, 0-60 oder 0-120 psig muss die Kurzschlussbrücke für niedrige/hohe Spannweite auf Hoch gestellt werden. Nähere Angaben finden Sie in Tabelle 3. "Fullrange-Betrieb" auf Seite 5.

Einstellen des Vorwärtsmodus

2. Stellen Sie die Brücke Vorwärts-/Rückwärtsmodus auf Vorwärts.
- **Vorwärts-Kalibrierung – Nullpunkt**
3. Schließen Sie das Mindesteingangssignal an und stellen Sie die Nullpunktschraube auf Mindestausgangsdruck ein.
- **Vorwärts-Kalibrierung – Spannweite**
4. Schließen Sie das maximale Eingangssignal an und stellen Sie die Spannweiteschraube auf maximalen Ausgangsdruck ein.
 5. Wiederholen Sie die Schritte 3-4, bis der Bereich der gewünschten Ausgangsleistung erreicht ist.

Einstellen des Rückwärtsmodus

HINWEIS:

Die Eingangskabel dürfen NICHT umgekehrt werden

6. Stellen Sie die Brücke Vorwärts-/Rückwärtsmodus auf Rückwärts.
- **Rückwärts-Kalibrierung – Nullpunkt**
7. Schließen Sie das maximale Eingangssignal an und stellen Sie die Nullpunktschraube auf Mindestausgangsdruck ein.

Rückwärts-Kalibrierung – Spannweite

8. Schließen Sie das Mindesteingangssignal an und stellen Sie die Spannweiteschraube auf maximalen Ausgangsdruck ein.
9. Wiederholen Sie die Schritte 7-8, bis der Bereich der gewünschten Ausgangsleistung erreicht ist.

SPLITRANGE-BETRIEB

Einstellen der niedrigen/hohen Spannweite

1. Bei einem Ausgangsbereich von 0-15 psig, 15-30 psig, 0-30 psig, 30-60 psig, 0-60 psig oder 60-120 psig muss der Schalter für niedrige/hohe Spannweite auf Niedrig gestellt werden. Nähere Angaben finden Sie in Tabelle 4. "Splitrange-Betrieb" auf Seite 5.

Einstellen des Vorwärtsmodus

2. Stellen Sie die Brücke Vorwärts-/Rückwärtsmodus auf Vorwärts.
- **Vorwärts-Kalibrierung – Nullpunkt**
3. Schließen Sie das Mindesteingangssignal an und stellen Sie die Nullpunktschraube auf Mindestausgangsdruck ein.
- **Vorwärts-Kalibrierung – Spannweite**
4. Schließen Sie das maximale Eingangssignal an und stellen Sie die Spannweiteschraube auf maximalen Ausgangsdruck ein.
 5. Wiederholen Sie die Schritte 3-4, bis der Bereich der gewünschten Ausgangsleistung erreicht ist.

Einstellen des Rückwärtsmodus

HINWEIS:

Die Eingangskabel dürfen NICHT umgekehrt werden

6. Stellen Sie die Brücke Vorwärts-/Rückwärtsmodus auf Rückwärts.
- **Rückwärts-Kalibrierung – Nullpunkt**
7. Schließen Sie das maximale Eingangssignal an und stellen Sie die Nullpunktschraube auf Mindestausgangsdruck ein.
- **Rückwärts-Kalibrierung – Spannweite**
8. Schließen Sie das Mindesteingangssignal an und stellen Sie die Spannweiteschraube auf maximalen Ausgangsdruck ein.
 9. Wiederholen Sie die Schritte 7-8, bis der Bereich der gewünschten Ausgangsleistung erreicht ist.

Zusätzliche Einstellungen

- **Einstellen der Dämpfung**

Mit dem Einstellen der Dämpfung kann der Wandler auf ein optimales Ansprechverhalten und Stabilität in bestimmten Anwendungen abgestimmt werden.

Um maximale Leistung zu erzielen, stellen Sie die Dämpfung zunächst auf das Maximum ein (volle Drehung im Uhrzeigersinn). Drehen Sie den Schalter schrittweise entgegen dem Uhrzeigersinn, bis eine leichte Oszillation auftritt, und drehen Sie den Schalter dann im Uhrzeigersinn wieder zurück, bis die Oszillation auf ein Minimum reduziert ist. Nähere Angaben finden Sie in Abbildung 10. "Kalibrierkonfiguration T7800".

1. Drehen Sie den Schalter zum Einstellen der Dämpfung im Uhrzeigersinn, um die Dämpfungsfunktion zu erhöhen..
2. Drehen Sie den Schalter zum Einstellen der Dämpfung entgegen dem Uhrzeigersinn, um die Dämpfungsfunktion zu reduzieren.

Kalibrierungen / Einstellungen (Fortsetzung)

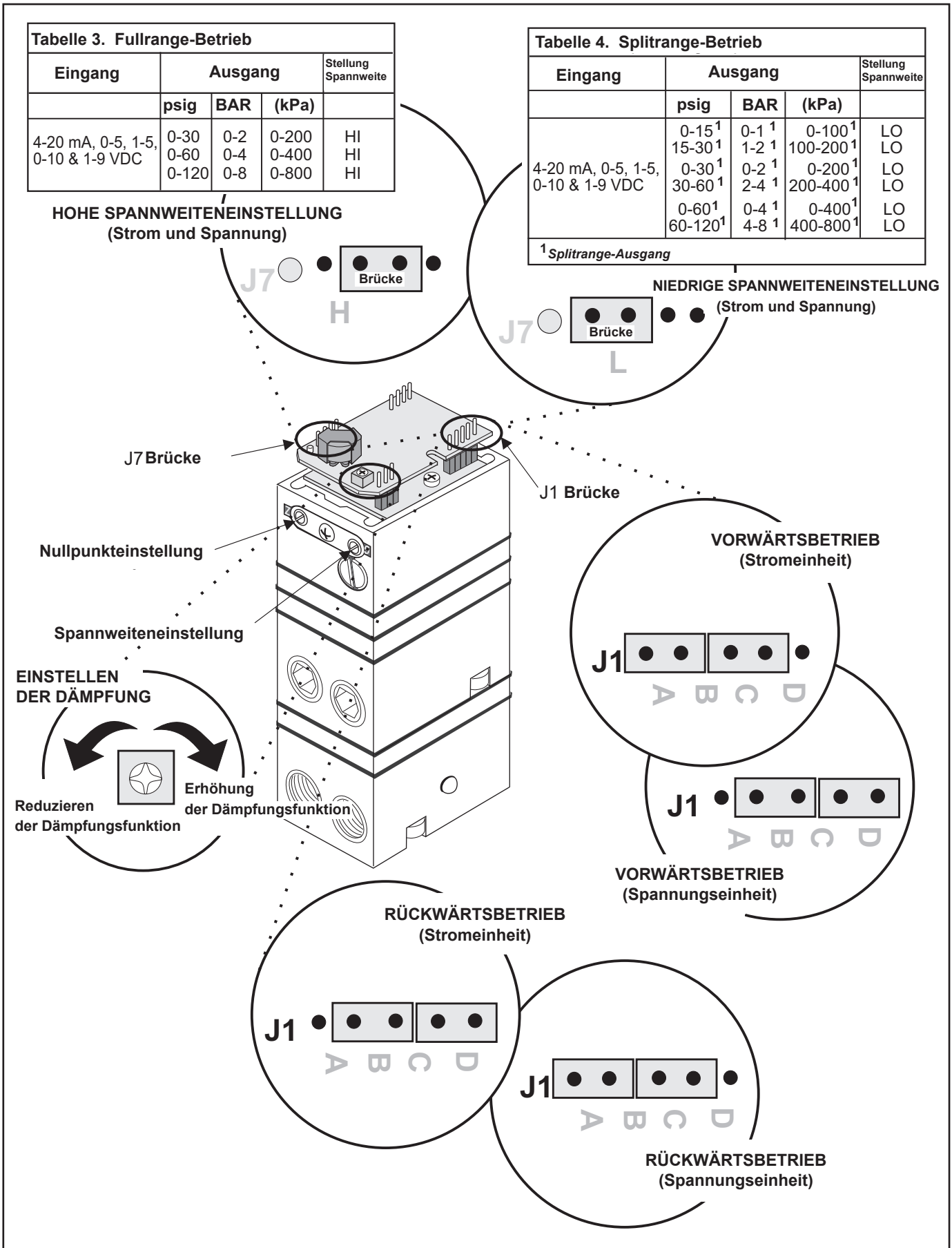


Abbildung 10. Kalibrierkonfiguration

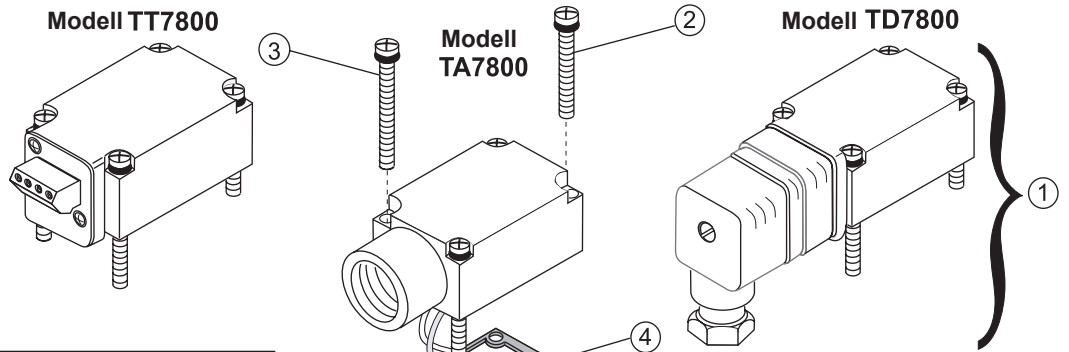
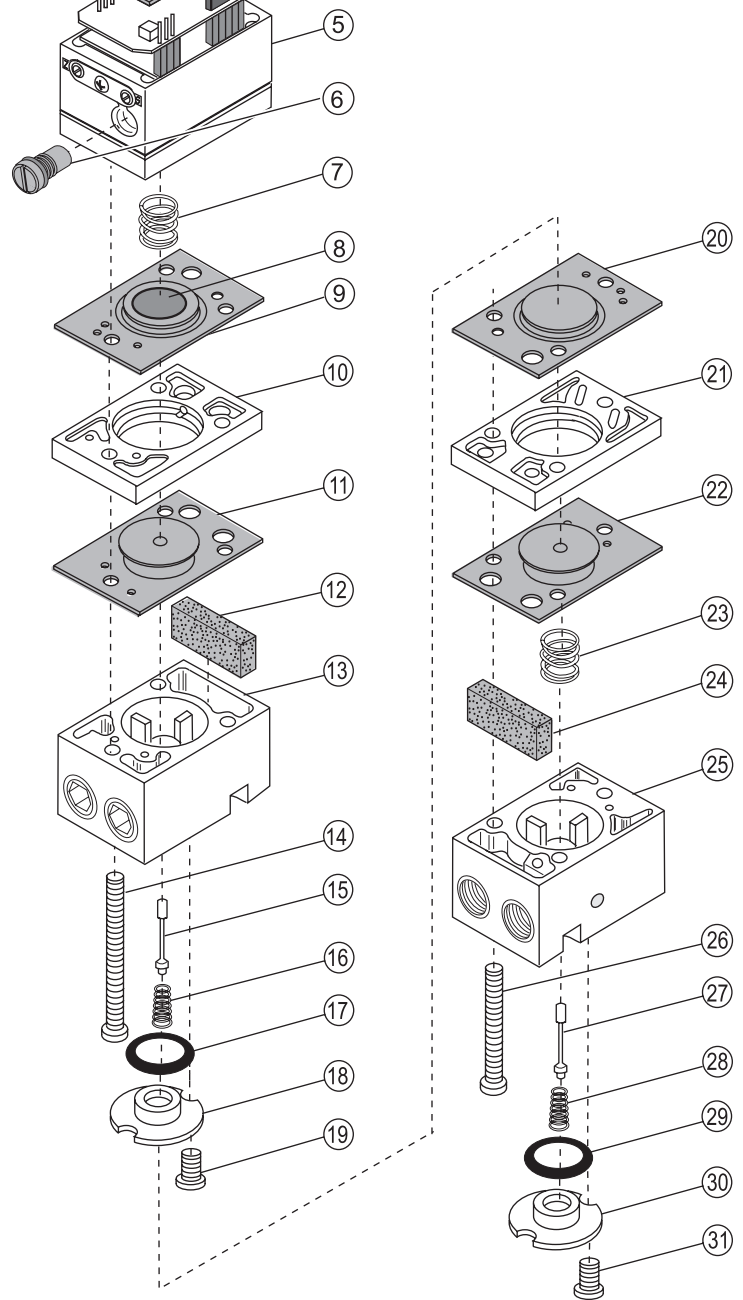


Tabelle 5. Wandlerkomponenten		
Bauteil	Anzahl	Beschreibung
1	1	Abdeckung, Verarbeitung
2	2	Schraube
3	2	Schraube
4 ¹	1	Dichtung
5	1	Düsenkorpusbaugruppe
6 ²	1	Düsenbaugruppe
6 ³	1	Düsenbaugruppe
6 ⁴	1	Düsenbaugruppe
7	1	Feder
8 ¹	1	Scheibe
9 ¹	1	Membran
10	1	Abstandshalter
11 ¹	1	Membranbaugruppe
12 ¹	1	Schaumblock
13	1	Ventilkorpusbaugruppe
14	3	Schraube
15	1	Drehbolzen
16	1	Feder, Drehbolzen
17 ¹	1	O-Ring
18	1	Stecker
19	2	Schraube
20 ¹	1	Membran
21	1	Abstandshalter
22 ²	1	Membranbaugruppe
22 ⁵	1	Membranbaugruppe
23	1	Feder
24 ¹	1	Schaumblock
25	1	Ventilkorpusbaugruppe
26	3	Schraube
27	1	Drehbolzen
28	1	Feder, Drehbolzen
29 ¹	1	O-Ring
30	1	Stecker
31	2	Schraube



¹ Für alle Austauschsätze

² 19267-4 Nur Bauteile des Austauschsatzes
0-30 psig, [0-2.0 BAR], (0-200 kPa)

³ 19267-5 Nur Bauteile des Austauschsatzes
0-60 psig, [0-4.0 BAR], (0-400 kPa)

⁴ 19267-6 Nur Bauteile des Austauschsatzes
0-120 psig, [0-8.0 BAR], (0-800 kPa)

⁵ 19267-5 & EA-19267-6 Nur Bauteile des Austauschsatzes

Abbildung 11. Explosionszeichnung

WARTUNG

Die Düse muss folgendermaßen gereinigt werden:

- Schließen Sie das Ventil, das den Wandler mit Luft versorgt. **Der Wandler muss nicht von der Luftzufuhrleitung getrennt werden.**
- Entfernen Sie den Düseneinsatz (6) vom Gerät. Nähere Angaben finden Sie in Abbildung 11. "Explosionszeichnung" auf Seite 6.
- Reinigen Sie den Düseneinsatz mit Alkohol und trocknen Sie ihn mit Druckluft.

HINWEISE:

Die Bauteile müssen für den Wiedereinbau komplett trocken sein.

Falls der Fehler durch die standardmäßige Wartung nicht behoben werden kann, müssen Sie den Austauschsatz installieren:

KLASSIFIZIERUNG FÜR GEFAHREBEREICHE

Zulassungen FM (Factory Mutual):

Eigensicher:

Katalogversionen: TAFI7800, TDFI7800
Klasse I, II, III Einteilung 1 Gruppen CDEFG T4
ED-18970; Einheiten
I/O AEx ia IIB T4
-40°C to +80°C

Nicht zündfähig

Klasse I, II, III Einteilung 2 Gruppen ABCDEFG T6
ED-18970; NIFW
-40°C to +80°C
Gehäusotyp 4X

Eigensicher:

Katalogversionen: TTFI7800, TRFI7800
Klasse I, II, III Einteilung 1 Gruppen CD T4
ED-18970; Einheiten
I/O AEx ia IIB T4
-40°C to +80°C

Nicht zündfähig

Klasse I, II, III Einteilung 2 Gruppen ABCD T6
ED-18970; NIFW
-40°C to +80°C

Parameter der Einheiten	
$V_{max}^1 = 28VDC$	$C_i^4 = 12nF$
$I_{max}^2 = 100mA$	$L_i^5 = 0mH$
$P_{max}^3 = 0.7W$	
$^1V_{max} = \text{Max. Spannung}$	$^4C_i = \text{Kapazität}$
$^2I_{max} = \text{Max. Strom}$	$^5L_i = \text{Induktivität}$
$^3P_{max} = \text{Max. Leistung}$	

Parameter der nicht zündfähigen Versorgung/Kabel (NIFW)	
$V_{max}^1 = 30VDC$	$C_i^3 = 0\mu F$
$I_{max}^2 = 120mA$	$L_i^4 = 0mH$
$^1V_{max} = \text{Max. Spannung}$	$^3C_i = \text{Kapazität}$
$^2I_{max} = \text{Max. Strom}$	$^4L_i = \text{Induktivität}$

FEHLERDIAGNOSE

Tabelle 6. Fehlerdiagnose.

Problem	Lösung (Überprüfung)
Keine Ausgangsleistung	Versorgungsdruck Verstopfte Düse
Undichtigkeit	Anschlüsse
Niedrige oder unsachgemäße Spannweiteinstellung	Nullpunkt- und Spannweiteinstellung Niedriger Versorgungsdruck Undichtigkeit der Ausgangsöffnung
Unregelmäßiger Betrieb	DC-Signal Lose Kabel oder Verbindungen Flüssigkeit in der Luftzufuhr

WARNUNG:

Eine Betriebsstörung des Wandlers kann zu einem Anstieg des Ausgangsdrucks des Versorgungsdrucks führen und mögliche Verletzungen oder Geräteschäden verursachen.

Zulassungen der CSA (Canadian Standards Association):

Eigensicher: (4-20 mA nur)

(TDCI7800, TACI7800)

Klasse I, Einteilung 1, Gruppen C und D;
Klasse II, Einteilung 1, Gruppen E, F, und G;
Gehäusotyp 4

Nenn 4-20 mA, 30 VDC Maximum;
Temperaturcode T6.

(TTCI7800, TRCI7800)

Klasse I, Einteilung 1, Gruppen C und D;
Temperaturcode T6.

Die Zulassungen sind bei Anschluss über eine Sicherheitsschranke mit einer Shunt-Zenerdiode gültig, die folgende Parameteranforderungen erfüllt:	
Systemtyp 1:	Klassifizierung Einzelkanalpolarisierung: 28.5V Max. 300 Ohm Min.
Systemtyp 2:	Klassifizierung Doppelkanalpolarisierung: 28.5V Max. 300 Ohm Min. and 10V Max. 50 Ohm Min.
Systemtyp 3:	Diodenrückführung pro Kanal: 28.5V Max. 300 Ohm Min. und 28V Diode Rückkehr pro Kanal.

Zulassungen Einteilung 2: (nur 4-20 mA)

(TDCI7800, TTCI7800, TRCI7800)

Klasse I, Einteilung 2, Gruppen A, B, C und D;
Nenn 4-20 mA, 30 VDC Maximum;
Temperaturcode T6.

(TACI7800)

Klasse I, Einteilung 2, Gruppen A, B, C und D;
Klasse II, Einteilung 2, Gruppen E, F, und G;
Gehäusotyp 4
Nenn 4-20 mA, 30 VDC Maximum;
Temperaturcode T6.

KLASSIFIZIERUNG FÜR GEFAHREBEREICHE; FORTSETZUNG AUF DER NÄCHSTEN SEITE

KLASSIFIZIERUNG FÜR GEFAHRENBEREICHE, FORTSETZUNG

ATEX-Zulassungen:

Eigensicher: (nur 4-20 mA)

Katalogversion: TAEI7800, TDEI7800

Sira 02ATEX2013X

Ex ia IIB T4 Ga (Ta = -40°C to +80°C)  II 1G (T4)

Ex ia IIIC T90°C Da (Ta = -40°C to +80°C) II 1D (T90°C)

Gehäuse IP65

Katalogversion: TTEI7800, TREI7800

Ex ia IIB T4 Ga (Ta = -40°C to +80°C)  II 1G (T4)

IECEx-Zulassungen:

IECEx SIR 08.0130X

Katalogversion: TAEI7800, TDEI7800

Ex ia IIB T4 Ga (Ta = -40°C to +80°C)

Ex ia IIIC T90°C Da (Ta = -40°C to +80°C)

Gehäuse IP65

Katalogversion: TTEI7800, TREI7800

Ex ia IIB T4 Ga (Ta = -40°C to +80°C)

Wandler-Parameter		ATEX, IECEx	
$U_{max}^1 (U_i)$	28 V	$W_{max}^3 (W_i)$	0.7 W
$I_{max}^2 (I_i)$	100 mA	$C_{eq}^4 (C_i)$	12.nF
		$Leq^5 (L_i)$	0
¹ U_{max} = Max. Spannung		³ W_{max} = Max. Leistung	
² I_{max} = Max. Strom		⁴ C_{eq} = Kapazität	
		⁵ Leq = Induktivität	

Cablaggi in aree pericolose

I cablaggi nelle aree pericolose devono essere gestiti in conformità alla tabella 1, e a tutti i codici locali applicabili.

Paese	Agenzia	Codice
U.S.	FM	ANSI/ISA RP 12.6 ANSI/NFPA 70 (NEC ®)
Canada	CSA	CED Part 1
Europe	ATEX	EN 50 039, EN 60079-14, IEC 60079-14

Connessioni intrinsecamente sicure

Fare riferimento all'ultima revisione del disegno indicato.

Gruppo di sottoscrizione	Numero disegno
FM (Factory Mutual)	EC-18970
CSA (Norme canadesi)	EC-18971
ATEX	EC-18972



GEFAHRENSTELLEN

Spezielle Bedingungen für die sichere Verwendung – WARNUNGEN

- Unter gewissen extremen Umständen können die im Gehäuse der TDEI7800-Serie eingebauten nichtmetallischen Teile eine zündfähige elektrostatische Ladung aufbauen. Daher darf die Vorrichtung nicht an einem Standort installiert werden, an dem die Außenbedingungen den Aufbau von elektrostatischer Ladung auf solchen Oberflächen begünstigen. Das ist besonders dann wichtig, wenn die Vorrichtung an einem Standort der Zone 0 / Einteilung 1 installiert ist. Außerdem darf die Vorrichtung nur mit einem feuchten Tuch gereinigt werden. Das ist besonders dann wichtig, wenn die Vorrichtung an einem Standort der Zone 0 / Einteilung 1 installiert ist.
- Das Gehäuse der TD_I7800-Serie umfasst nichtmetallische Materialien, das vor UV-Licht (zum Beispiel Tageslicht oder Licht von Leuchtkörpern) geschützt werden muss, sobald es installiert ist.
- Das Gehäuse der Geräteserien TD_I7800 & TA_I7800 ist aus einer Aluminiumlegierung gefertigt. In seltenen Fällen können aufgrund von Einwirkungen Zündquellen und Reibfunken auftreten. Das muss bei der Installation berücksichtigt werden, besonders wenn die Vorrichtung an einem Standort der Zone 0/Einteilung 1 installiert ist.
- Das Gehäuse der Ausrüstung; TD_I7800 und TA_I7800 Serie sind in der Lage nur ein geringes Risiko von mechanischen Gefahren zu widerstehen und somit einen zusätzlichen Schutz vorzusehen, um sicherzustellen, dass es nicht zu extremen mechanischen Belastungen ausgesetzt werden kann.
- Die mit der TD_I7800-Serie verbundene DIN-Buchse muss den Anforderungen von IP65 entsprechen.
- Das mit dem Gehäuse TA_I7800 verbundene Kabel muss die Anforderungen IP65 des Gehäuses einhalten.
- TT_I7800 und TR_I7800 müssen in einem Gehäuse mit einem Schutzgrad von mindestens IP20/NEMA 1 installiert werden und die Gehäuseanforderungen von IEC 60079-0 für Vorrichtungen der Gruppe II einhalten.

RECHTLICHER HINWEIS:

Die im vorangehenden Installations-, Betriebs- und Wartungshandbuch dargelegten Angaben dürfen in keinerlei Hinsicht ohne die vorherige schriftliche Zustimmung der Fairchild Industrial Products Company geändert oder ergänzt werden. Außerdem müssen die hierin dargelegten Angaben zusammen mit jedem verkauften Produkt, das ein Gerät von Fairchild als Bauteil eingebaut hat, ausgehändigt werden.

GAMMA ESTESA FAIRCHILD T7800

TRASDUTTORE ELETTROPNEUMATICO IN MINIATURA

Istruzioni sull'installazione, uso e manutenzione

Numero identificativo T **7800** -

Collegamenti elettrici

- 1/2 NPT condotto (A)
- Raccordo con treccia (T)
- Morsetteria (D)
- DIN 43650 Collegamento (R)
- Montaggio su rack (F)

Gruppo di sottoscrizione

- Factory Mutual (C)
- Norma canadese (E)
- ATEX (I)

Classe di approvazione

- Intrinsecamente sicuro ¹ (N)
- Non-incendive (Divisione 2) ²

Ingresso

- 4-20 mA (4)
- 1-5 VDC (5)
- 0-5 VDC (7)
- 1-9 VDC (9)
- 0-10 VDC (0)

Uscita

Selezionare psig del caso, [BAR] a (kPa)

- 0-30 psig (04)
- 0-60 psig (05)
- 0-120 psig (06)
- [0-2.0 BAR] (14)
- [0-4.0 BAR] (15)
- [0-8.0 BAR] (16)
- (0-200 kPa) (24)
- (0-400 kPa) (25)
- (0-800 kPa) (26)

¹ Approvazione intrinsecamente sicuro incluso non-incendive (Divisione 2), solo su unità 4-20 mA.

² Approvazione non-incendive (Divisione 2) solo su unità con ingresso con tensione FM.

Figura 1. Sistema di codifica trasduttore gamma estesa Modello T7800.

INFORMAZIONI GENERALI

Il modello T7800 della serie di trasduttori elettropneumatico converte un segnale in ingresso DC in uscita pneumatica linearmente proporzionale.

SPECIFICHE

Specifiche di prestazione							
Precisione (ISA S51.1)	±0.25% Garantito per la scala completa ±0.15% Tipico per la scala completa						
Isteresi (ISA S51.1)	0.25% Scala completa						
Banda morta	0.02% Scala completa						
Ripetibilità (ISA S51.1)	0.1% Scala completa						
Effetto della posizione	0.125% @ 90° & 0.25% @ 180°						
Effetto della vibrazione	Meno di ±1% di span nelle seguenti condizioni: 5-15 Hz con uno sfasamento costante di 0,8 pollici, 15-500 Hz @ 10 g.						
Protezione da inversione di polarità	In caso di inversione della corrente di alimentazione normale (4-20 mA) o di una applicazione errata fino a un massimo di 60 mA non si verificano danni.						
Effetto RFI/EMI	Span inferiore allo 0,5% a 30 v/m classe 3 Banda ABC (da 20 a 1000 MHz) secondo SAMA PMC 33.1 1978 e span inferiore allo 0,5% al livello 10 v/m, per una banda 2 Ghz in base alla direttiva EMC EN 61000-4-3: 1998+A1 2014/30/EU, Norme europee EN61326.						
Pressione di effetto di alimentazione	Cambio di 0,1 psig per un cambio di alimentazione di 10 psig						
Effetto sulla temperatura	±[0,5%+0,06%/cambio di temperatura °F] dello span tipico						
Risposta in frequenza	<table border="1" style="width: 100%; border-collapse: collapse;"> <thead> <tr> <th>psig [BAR] (kPa)</th> <th>psig [BAR] (kPa)</th> <th>psig [BAR] (kPa)</th> </tr> </thead> <tbody> <tr> <td>0-30 [0-2.0] (0-200)</td> <td>0-60 [0-4.0] (0-400)</td> <td>0-120 [0-8.0] (0-800)</td> </tr> </tbody> </table>	psig [BAR] (kPa)	psig [BAR] (kPa)	psig [BAR] (kPa)	0-30 [0-2.0] (0-200)	0-60 [0-4.0] (0-400)	0-120 [0-8.0] (0-800)
	psig [BAR] (kPa)	psig [BAR] (kPa)	psig [BAR] (kPa)				
0-30 [0-2.0] (0-200)	0-60 [0-4.0] (0-400)	0-120 [0-8.0] (0-800)					
	-3 db a 2 Hz in base alla configurazione di carico A ISA S26.4.3.1.						
Materiali di costruzione	Corpo e alloggiamento Alluminio cromato Orifizio ottone nichelato e zaffiro Rivestimento.... Acciaio inox e acciaio galvanizzato Elastomeri..... Nitrile Finitura Rivestimento in polvere epossidica						

Specifiche funzionali			
	psig [BAR] (kPa)	psig [BAR] (kPa)	psig [BAR] (kPa)
Intervallo in uscita	0-30 [0-2.0] (0-200)	0-60 [0-4.0] (0-400)	0-120 [0-8.0] (0-800)
Intervallo in ingresso	4-20 mA DC, 0-10 VDC, 1-9 VDC, 0-5 VDC, 1-5 VDC		
Pressione di alimentazione ¹	35-150 [2.5-10] (250-1000)	65-150 [4.6-10] (460-1000)	125-150 [8.8-10] (880-1000)
Span minimo	12.5 [0.85] (85)	25 [1.5] (150)	50 [3.0] (300)

¹La pressione di alimentazione non deve essere inferiore a 5 psig [0,35 BAR], (35 kPa) sopra l'uscita massima.

Consumo d'aria	Set Point				
	0 psig [0 BAR] (0 kPa)	15 psig [1.0 BAR] (100 kPa)	30 psig [2.0 BAR] (200 kPa)	60 psig [4.0 BAR] (400 kPa)	120 psig [8.0 BAR] (800 kPa)
0-30 psig SCFH	3.1 (.09 m³/HR)	7.81 (.22 m³/HR)	11.8 (.33 m³/HR)		
0-60 psig SCFH	1.6 (.04 m³/HR)	4.7 (.13 m³/HR)	7.8 (.22 m³/HR)	13.3 (.37 m³/HR)	
0-120 psig SCFH	0.5 (.01 m³/HR)		3.8 (.11 m³/HR)	7.6 (.21 m³/HR)	15.1 (.42 m³/HR)
Portata SCFM	Fornitura e uscita di centro scala 11,0 (18,7m³/HR) @ 150 psig, [10 BAR], (1000 kPa)				
Intervallo di temperature	In esercizio -40°F a +160°F (-40°C a +71.2°C) Stoccaggio -40°F a +180°F (-40°C a +82.2°C)				
Regolazioni zero/span	Le regolazioni tramite cacciavite si trovano sulla parte anteriore dell'unità				
Tensioni d'esercizio necessarie	Ingresso corrente a due fili 7.2 VDC a 20 mA (4-20 mA segnale)				
Tensione di alimentazione	Ingresso tensione a tre fili 7-30 VDC, meno di 3 mA				
Impedenza del segnale	Ingresso tensione a tre fili 10 Kilohms				

INSTALLAZIONE

Il modello T7800 può essere montato direttamente su una superficie piana usando due viti 10-32. Per ulteriori informazioni, vedere la Figura 2. "Dimensioni esterne TA7800".

Il modello T7800 è dotato di un Kit di montaggio 16799-1 per il montaggio su parete o su pannello e un Kit staffa di montaggio per montaggio 16893 su binario DIN. Per ulteriori informazioni, vedere la Figura 3 e la Figura 4.

Un Kit di montaggio 19254-1 opzionale è disponibile per l'installazione dell'unità su una tubazione da 2 pollici. Per ulteriori informazioni, vedere la Figura 8 a pagina 3.

NOTA:

Parte dell'alloggiamento dei modelli TDFI7800/TD7800 è costruito con materiale non metallico. Per evitare il rischio di scintille elettrostatiche, l'attrezzatura deve essere pulita solo con un panno umido. Il trasduttore TR7800 è stato progettato per l'uso con il kit rack TR. Fisicamente, è uguale all'unità TT7800 (Morsetti), ma la morsettiere è stata ruotata sul retro. Per ulteriori informazioni, vedere la Figura 6. "Dimensioni esterne TR7800".

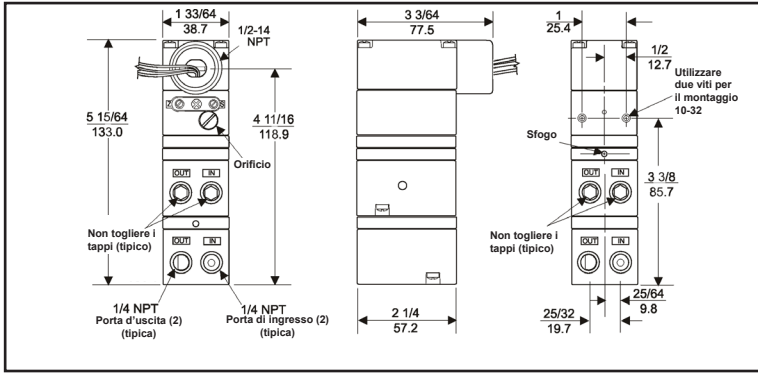


Figura 2. TA7800 Dimensioni esterne

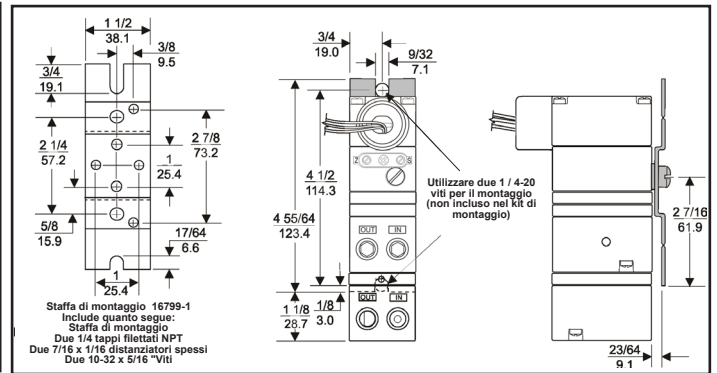


Figura 3. Kit di montaggio 16799-1(Incluso con l'unità)

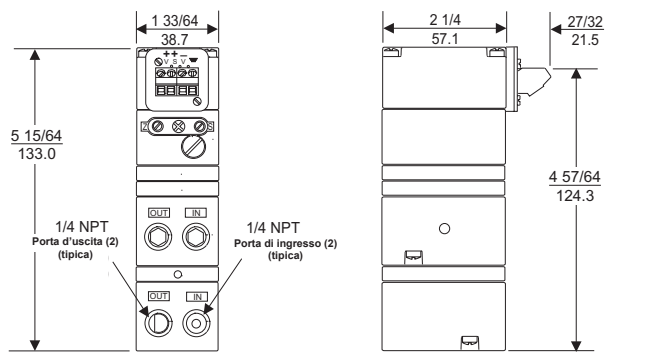


Figura 4. TT7800 Dimensioni esterne

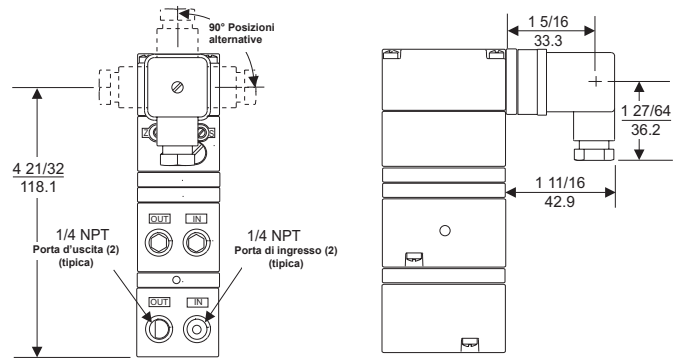


Figura 5. TD7800 Dimensioni esterne

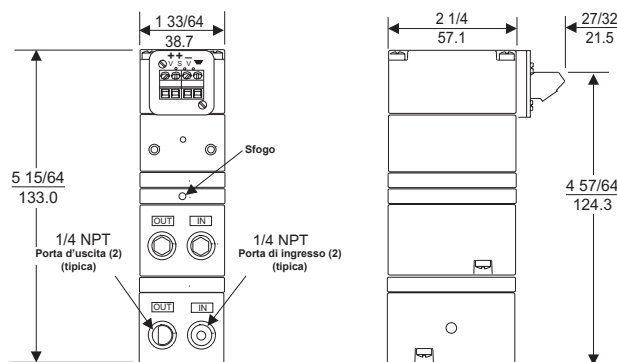


Figura 6. TR7800 Dimensioni esterne

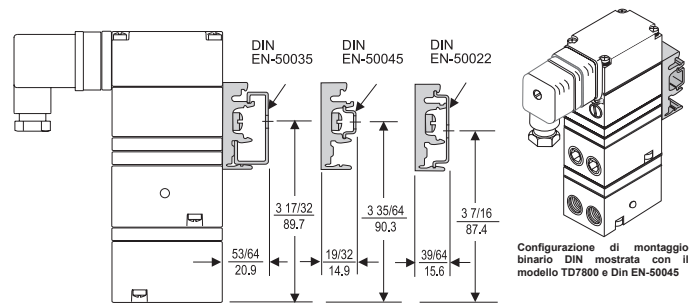


Figura 7. Kit di montaggio su binario DIN 16893 (Incluso con l'unità)

Installazione (segue)

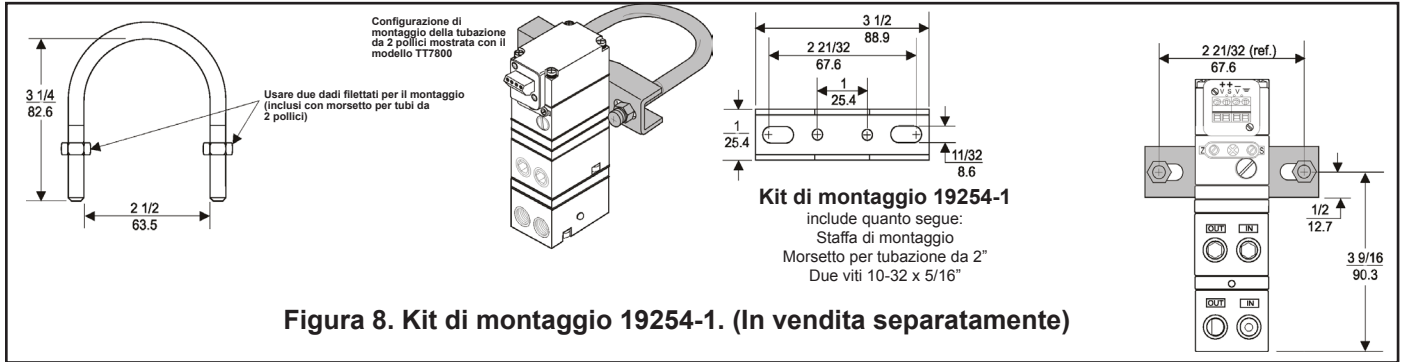


Figura 8. Kit di montaggio 19254-1. (In vendita separatamente)

Collegamenti pneumatici

Pulire tutte le tubazioni per eliminare lo sporco e i depositi di calcare prima dell'installazione.

Applicare un quantitativo minimo di composto per tubazioni sulle filettature maschio del solo raccordo. Non usare nastro in teflon come sigillante. Iniziare dalla terza filettatura e lavorare allontanandosi dall'estremità del raccordo per evitare la possibilità di contaminazione del trasduttore. Installare il trasduttore nella linea dell'aria.

Le porte di ingresso e uscita, nel corpo inferiore della valvola, sono etichettate sulle estremità del trasduttore. Serrare saldamente le connessioni. Evitare l'uso di raccordi sottodimensionati che limiterebbero il flusso attraverso il trasduttore e provocherebbero un calo di pressione a valle. Per ulteriori informazioni, vedere la Figura 2. "Dimensioni esterne" a pagina 2.

NOTA:

È necessaria aria di qualità strumentale, in accordo alle norme ISA S7.3-1981. Usare un filtro, a monte del trasduttore, per rimuovere sporco e liquidi presenti nella linea dell'aria e ottenere così una prestazione corretta. Se è usato un lubrificatore nella linea dell'aria, esso DEVE trovarsi a valle, oltre il trasduttore.

L'utente ha la responsabilità di garantire che l'ambiente nel quale sarà installata l'unità, come anche il gas operativo, sia compatibile con i materiali del trasduttore.

Collegamenti elettrici

Effettuare i collegamenti alla morsetteria, al connettore degli ingressi o al connettore DIN come mostrato in basso nella Figura 9. "Collegamenti elettrici".

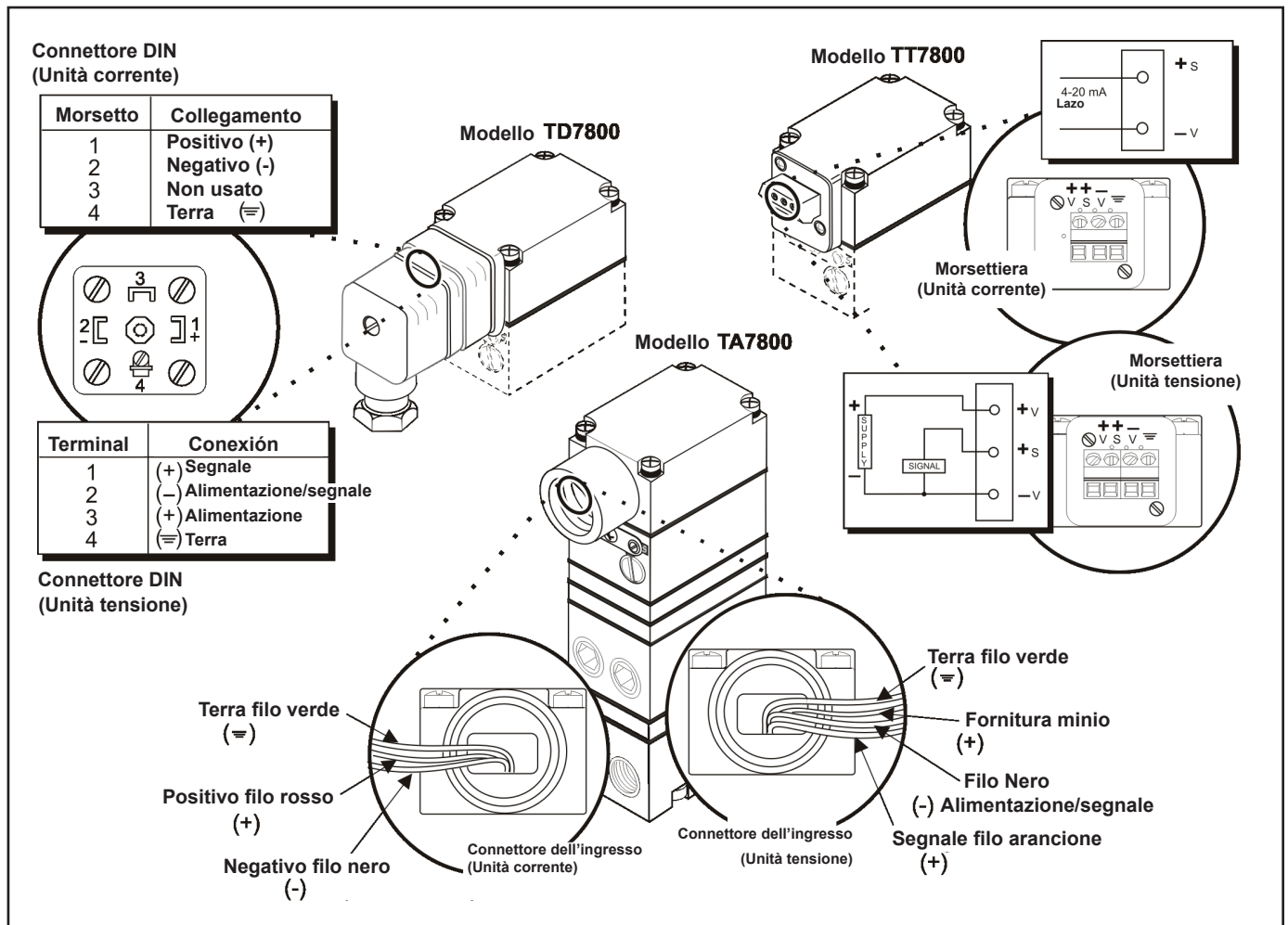


Figura 9. Collegamenti elettrici

TARATURE/REGOLAZIONI

Attrezzature necessarie per la taratura:

- Alimentazione pneumatica in grado di fornire fino a 150 psig.
- Alimentazione elettrica in grado di erogare fino a 30 mA.
- Manometro digitale in grado di fornire letture fino a 150 psig con una precisione dello 0,1%.
- Voltmetro digitale in grado di fornire letture fino a 30 mA con una precisione dello 0,02%.

Sono fornite le seguenti regolazioni:

Funzionamento su tutto l'intervallo
Lo/Hi Span (Span alto/basso)
Modalità avanti/indietro
Taratura: zero e span
Funzionamento su intervallo parziale
Regolazioni di smorzamento

FUNZIONAMENTO SU TUTTO L'INTERVALLO

Regolazione Span Lo/Hi (basso/alto)

1. Impostare il ponticello dello span Lo/Hi (basso/alto) in posizione Hi (alto) per un intervallo di uscita 0-30 psig, 0-60 psig o 0-120 psig. Per ulteriori informazioni, vedere la Tabella 3. "Funzionamento su tutto l'intervallo a pagina 5".

Regolazione modalità di azionamento in avanti

2. Impostare il ponticello di modalità Fwd/Rev (avanti/indietro) in posizione Fwd (avanti).
- **Taratura azionamento in avanti – Zero**
3. Applicare il segnale di ingresso minimo e regolare la vite Zero per la pressione di uscita minima.
- **Taratura azionamento in avanti – Span**
4. Applicare il segnale di ingresso massimo e regolare la vite Span per la pressione di uscita massima.
 5. Ripetere i passaggi 3-4 fino all'ottenimento dell'intervallo di uscita desiderato.

Regolazione modalità di azionamento indietro

NOTA: NON invertire i fili in ingresso

6. Impostare Av / Ind modalità Jumper per invertire la posizione.
- **Taratura azionamento indietro – Zero**
7. Applicare il segnale di ingresso massimo e regolare la vite Zero per la pressione di uscita minima.

Taratura azionamento indietro – Span

8. Applicare il segnale di ingresso minimo e regolare la vite Span per la pressione di uscita massima.
9. Ripetere i passaggi 7-8 fino all'ottenimento dell'intervallo di uscita desiderato.

FUNZIONAMENTO SU INTERVALLO PARZIALE

Regolazione Span Lo/Hi (basso/alto)

1. Impostare il commutatore dello span Lo/Hi (basso/alto) in posizione Lo (basso) per un intervallo di uscita 0-15 psig, 15-30 psig, 0-30 psig, 30-60 psig, 0-60 psig, o 60-120 psig. Per ulteriori informazioni, vedere la Tabella 4. "Funzionamento su tutto l'intervallo" a pagina 5.

Regolazione modalità di azionamento in avanti

2. Impostare il ponticello di modalità Fwd/Rev (avanti/indietro) in posizione Fwd (avanti).
- **Taratura azionamento in avanti – Zero**
3. Applicare il segnale di ingresso minimo e regolare la vite Zero per la pressione di uscita minima.
- **Taratura azionamento in avanti – Span**
4. Applicare il segnale di ingresso massimo e regolare la vite Span per la pressione di uscita massima.
 5. Ripetere i passaggi 3-4 fino all'ottenimento dell'intervallo di uscita desiderato.

Regolazione modalità di azionamento indietro

NOTA: NON invertire i fili in ingresso

6. Impostare il ponticello di modalità Fwd/Rev (avanti/indietro) in posizione Reverse (indietro).
- **Taratura azionamento indietro – Zero**
7. Applicare il segnale di ingresso massimo e regolare la vite Zero per la pressione di uscita minima.
- **Taratura azionamento indietro – Span**
8. Applicare il segnale di ingresso minimo e regolare la vite Span per la pressione di uscita massima.
 9. Ripetere i passaggi 7-8 fino all'ottenimento dell'intervallo di uscita desiderato.

Regolazioni aggiuntive

- **Regolazione di smorzamento**

La regolazione di smorzamento viene usata per poter effettuare una regolazione di precisione del trasduttore e ottenere una risposta e una stabilità ottimali in una particolare applicazione.

Per ottenere la migliore prestazione, avviare la regolazione di smorzamento al massimo (completamente verso destra). Ruotare gradualmente verso sinistra finché non si ottiene una leggera oscillazione, quindi tornare indietro verso destra fino alla minimizzazione di tale oscillazione. Per ulteriori informazioni, vedere la Figura 10. "Configurazione della taratura T7800"

1. Ruotare verso destra la regolazione di smorzamento per aumentare la funzione di smorzamento.
2. Ruotare verso sinistra la regolazione di smorzamento per diminuire la funzione di smorzamento.

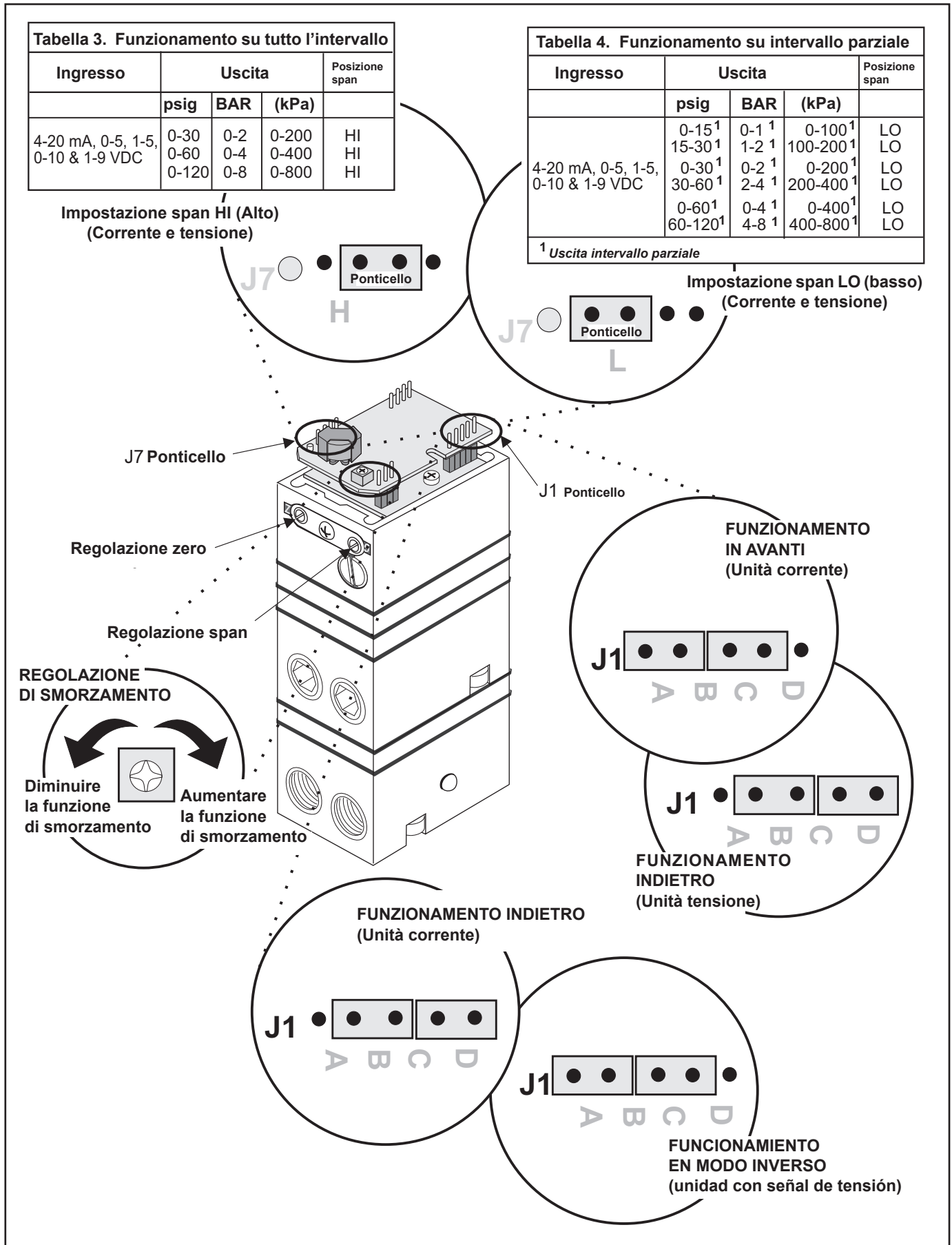


Figura 10. T7800 Configurazione della taratura

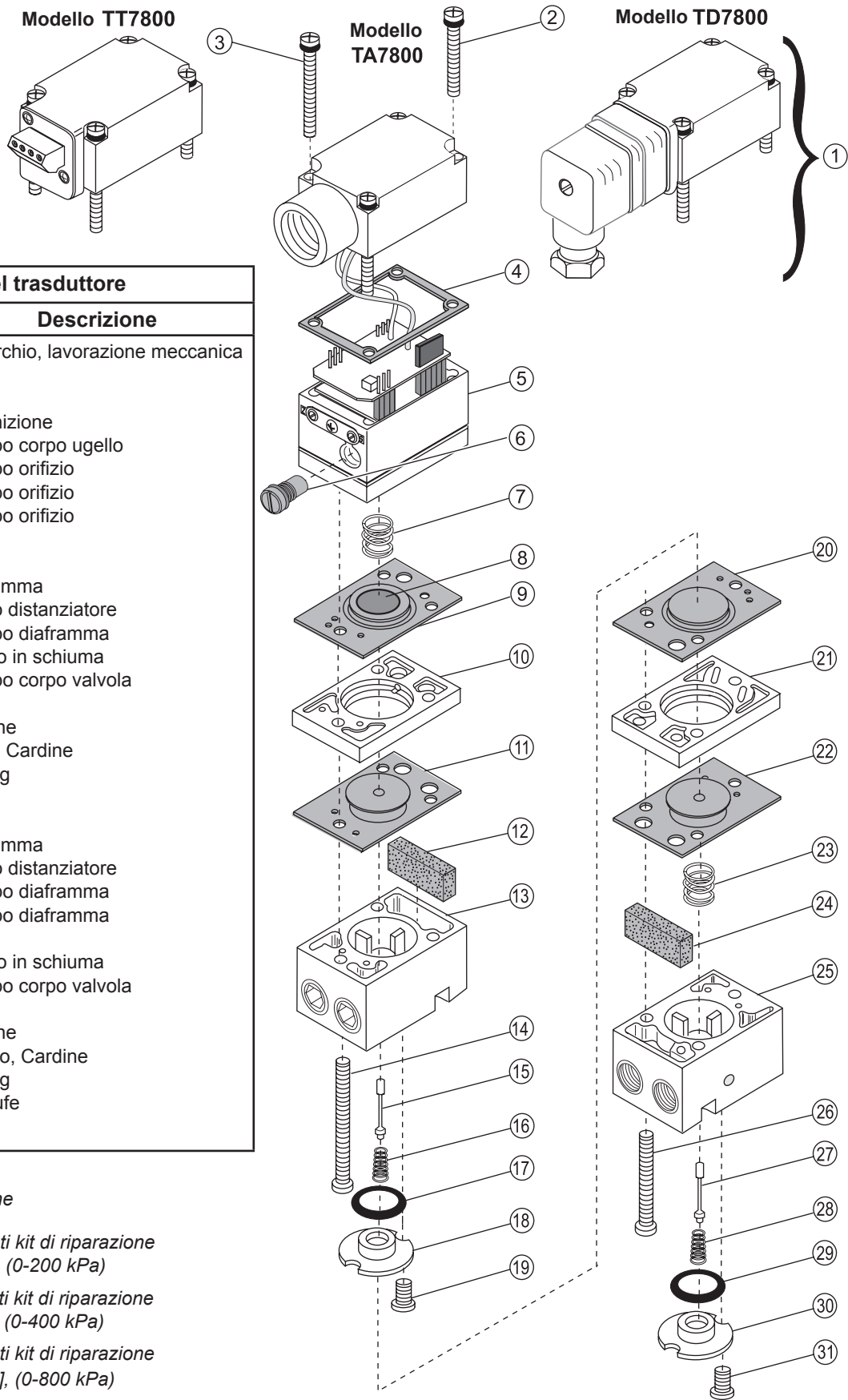


Tabella 5. Componenti del trasduttore

Articolo	Quantità	Descrizione
1	1	Coperchio, lavorazione meccanica
2	2	Vite
3	2	Vite
4 ¹	1	Guarnizione
5	1	Gruppo corpo ugello
6 ²	1	Gruppo orifizio
6 ³	1	Gruppo orifizio
6 ⁴	1	Gruppo orifizio
7	1	Molla
8 ¹	1	Disco
9 ¹	1	Diaframma
10	1	Anello distanziatore
11 ¹	1	Gruppo diaframma
12 ¹	1	Blocco in schiuma
13	1	Gruppo corpo valvola
14	3	Vite
15	1	Cardine
16	1	Molla, Cardine
17 ¹	1	O-Ring
18	1	Spina
19	2	Vite
20 ¹	1	Diaframma
21	1	Anello distanziatore
22 ²	1	Gruppo diaframma
22 ⁵	1	Gruppo diaframma
23	1	Molla
24 ¹	1	Blocco in schiuma
25	1	Gruppo corpo valvola
26	3	Vite
27	1	Cardine
28	1	Tornillo, Cardine
29 ¹	1	O-Ring
30	1	Enchufe
31	2	Vite

¹ Per tutti i kit di riparazione

² 19267-4 Solo componenti kit di riparazione
0-30 psig, [0-2.0 BAR], (0-200 kPa)

³ 19267-5 Solo componenti kit di riparazione
0-60 psig, [0-4.0 BAR], (0-400 kPa)

⁴ 19267-6 Solo componenti kit di riparazione
0-120 psig, [0-8.0 BAR], (0-800 kPa)

⁵ 19267-5 & EA-19267-6 Solo componenti kit di riparazione

Figura 11. Disegno esploso

MANUTENZIONE

Per pulire l'orifizio, attenersi alla seguente procedura:

1. Spegnerla valvola che alimenta l'aria verso il trasduttore. **Non è necessario rimuovere il trasduttore dalla linea dell'aria.**
2. Togliere il gruppo orifizio (6) dall'unità. Per ulteriori e più dettagliate informazioni, vedere la Figura 11. "Dimensioni esplose" a pagina 6.
3. Pulire con alcol e asciugare con aria compressa.

NOTES:

Prima del rimontaggio, le parti devono essere completamente asciutte.

Se la procedura di manutenzione standard non corregge il problema, installare il kit di riparazione.

CLASSIFICAZIONE AREA PERICOLOSA

Approvazioni FM (Factory Mutual):

Intrinsecamente sicuro:

Versioni catalogo: TAFI7800, TDFI7800
Classe I,II,III Divisione 1 Gruppi CDEFG T4
ED-18970; Entità
I/O AEx ia IIB T4
-40°C to +80°C

Non-incendive:

Classe I,II,III Divisione 2 Gruppi ABCDEFG T6
ED-18970; NIFW
-40°C to +80°C
Tipo di alloggiamento 4X

Intrinsecamente sicuro:

Versioni catalogo: TTFI7800, TRFI7800
Classe I,II,III Divisione 1 Gruppi CD T4
ED-18970; Entità
I/O AEx ia IIB T4
-40°C to +80°C

Non-incendive:

Classe I,II,III Divisione 2 Gruppi ABCD T6
ED-18970; NIFW
-40°C to +80°C

Parametri entità	
$V_{max}^1 = 28VDC$	$Ci^4 = 12nF$
$I_{max}^2 = 100mA$	$Li^5 = 0mH$
$P_{max}^3 = 0.7W$	
$^1V_{max} =$ Tensione massima	$^4Ci =$ Capacitanza
$^2I_{max} =$ Corrente massima	$^5Li =$ Induttanza
$^3P_{max} =$ Alimentazione massima	

Nonincendive Field Wire Parameters (NIFW)	
$V_{max}^1 = 30VDC$	$Ci^3 = 0uF$
$I_{max}^2 = 120mA$	$Li^4 = 0mH$
$^1V_{max} =$ Tensione massima	$^3Ci =$ Capacitanza
$^2I_{max} =$ Corrente massima	$^4Li =$ Induttanza

RISOLUZIONE DEI PROBLEMI

Tabella 6. Risoluzione dei problemi

Problema	Soluzione (controllare)
Nessuna uscita	Pressione di alimentazione Orifizio intasato
Perdita	Collegamenti
Bassa o impropria Regolazione span	Regolazione zero e span Bassa pressione di alimentazione Perdita in uscita
Funzionamento irregolare	Segnale DC Connessioni o fili lenti Liquidi nell'aria di alimentazione

AVVISO:

Il guasto del trasduttore potrebbe provocare un aumento della pressione in uscita alla pressione di alimentazione e potrebbe provocare infortuni o danni alle attrezzature.

Approvazioni CSA (Canadian Standards Association):

**Intrinsecamente sicuro (4-20 mA solo)
(TDCI7800, TACI7800)**

Classe I, Divisione 1, Gruppi C e D;
Classe II, Divisione 1, Gruppi E, F, e G;
Tipo 4 rivestimento

Nominale 4-20 mA, 30 VDC massima;
Codice temperatura T6
(TTCI7800, TRCI7800)

Classe I, Divisione 1, Gruppi C e D;
Codice temperatura T6

Le approvazioni sono valide se connesse attraverso una barriera di sicurezza a diodi Shunt Zener che rispetti i seguenti requisiti parametrici:

Tipo di sistema 1:	Classe polarizzata a canale singolo: 28.5V Max. 300 Ohm Min.
Tipo di sistema 2:	Classe polarizzata a canale doppio: 28.5V Max. 300 Ohm Min. e 10V Max. 50 Ohm Min.
Tipo di sistema 3:	Classe polarizzata a canale doppio: 28.5V Max. 300 Ohm Min. e 28V Ritorno del diodo per canale.

Approvazioni Divisione 2: (Solo 4-20 mA) (TDCI7800, TTCI7800, TRCI7800)

Classe I, Division 2, Gruppi A, B, C e D;
Nominale 4-20 mA, 30 VDC massima;
Codice temperatura T6

(TACI7800)

Classe I, Division2, Gruppi A, B, C e D;
Classe II, Division 2, Gruppi E, F, e G;
Tipo 4 rivestimento
Nominale 4-20 mA, 30 VDC massima;
Codice temperatura T6

**CLASSIFICAZIONE AREA PERICOLOSA,
SEGUE SULLA PAGINA SUCCESSIVA**

CLASSIFICAZIONE AREA PERICOLOSA SEGUE

Approvazioni ATEX:

Intrinsecamente sicuro: (4-20 mA solo)

Versione catalogo: TAEI7800, TDEI7800

Sira 02ATEX2013X

Ex ia IIB T4 Ga (Ta = -40°C to +80°C) Ex II 1G (T4)

Ex ia IIIC T90°C Da (Ta = -40°C to +80°C) II 1D (T90°C)

Alloggiamento IP65

Versione catalogo: TTEI7800, TREI7800

Ex ia IIB T4 Ga (Ta = -40°C to +80°C) Ex II 1G (T4)

Approvazioni IECEx:

IECEx SIR 08.0130X

Versioni catalogo: TAEI7800, TDEI7800

Ex ia IIB T4 Ga (Ta = -40°C to +80°C)

Ex ia IIIC T90°C Da (Ta = -40°C to +80°C)

Alloggiamento IP65

Versioni catalogo: TTEI7800, TREI7800

Ex ia IIB T4 Ga (Ta = -40°C to +80°C)

Parametri trasduttore		ATEX, IECEx	
U _{max} ¹ (U _i)	28 V	W _{max} ³ (W _i)	0.7 W
I _{max} ² (I _i)	100 mA	Ceq ⁴ (C _i)	12.nF
		Leq ⁵ (L _i)	0
¹ U _{max} = Tensione massima		³ W _{max} = Alimentazione massima	
² I _{max} = Corrente massima		⁴ Ceq = Capacitanza	
		⁵ Leq = Induttanza	

Cablaggi in aree pericolose

I cablaggi nelle aree pericolose devono essere gestiti in conformità alla tabella 1, e a tutti i codici locali applicabili.

Paese	Agenzia	Codice
U.S.	FM	ANSI/ISA RP 12.6 ANSI/NFPA 70 (NEC ®)
Canada	CSA	CED Part 1
Europe	ATEX	EN 50 039, EN 60079-14, IEC 60079-14

Connessioni intrinsecamente sicure

Fare riferimento all'ultima revisione del disegno indicato.

Gruppo di sottoscrizione	Numero disegno
FM (Factory Mutual)	EC-18970
CSA (Norme canadesi)	EC-18971
ATEX	EC-18972



LUOGHI PERICOLOSI

Condizioni speciali per un uso sicuro - AVVISI

- In alcune circostanze estreme, le parti non metalliche incorporate nell'alloggiamento dell'apparecchio, serie TDEI7800 potrebbero generare un livello di carica elettrostatica in grado di provocare un'accensione. Pertanto, l'apparecchio non deve essere installato dove le condizioni esterne siano conduttive per l'accumulo di carica elettrostatica su tali superfici. Questo è particolarmente importante se l'apparecchio è installato in una Zona 0/Divisione 1. Inoltre, l'apparecchio deve essere pulito solo con un panno umido. Questo è particolarmente importante se l'apparecchio è installato in una Zona 0/Divisione 1.
- L'alloggiamento dell'apparecchio, serie TD_I7800 contiene materiali non metallici che devono essere protetti dai raggi UV (ad esempio dalla luce diurna e dalla luce da illuminazione) una volta installato.
- L'alloggiamento dell'apparecchio, serie TD_I7800 e TA_I7800 è prodotto in lega di alluminio. In rari casi, si potrebbero presentare fonti di accensione a causa di scintille provocate da impatti e frizione. Questo deve essere tenuto in considerazione durante l'installazione, in particolare se è installato in una Zona 0/Divisione 1.
- L'alloggiamento dell'apparecchio; serie TD_I7800 e TA_7800 è in grado di sopportare solo basso rischio di pericolo meccanico e pertanto deve essere fornita una protezione aggiuntiva che garantisca che non possa essere soggetto a sollecitazioni meccaniche.
- La presa DIN collegata alla serie TD_I7800 deve essere conforme ai requisiti IP65.
- La conduttura collegata all'alloggiamento del modello TA_I7800 deve mantenere i requisiti IP65.
- I modelli TT_I7800 e TR_I7800 devono essere installati in un alloggiamento che mantenga una classe di protezione dell'ingresso di almeno IP20/NEMA e rispettare i requisiti dell'alloggiamento IEC 60079-0 per apparecchiature del Gruppo II.

INFORMATIVA LEGALE:

Le informazioni indicate nelle precedenti istruzioni sull'installazione, uso e manutenzione non possono essere modificate o corrette in alcun modo senza previo consenso scritto da parte di Fairchild Industrial Products Company. Inoltre, tali informazioni devono essere fornite insieme a ogni prodotto venduto di cui l'unità Fairchild è componente.

GAMME ÉTENDUE FAIRCHILD T7800

TRANSMETTEUR ÉLECTROPNEUMATIQUE MINIATURE

Instructions d'installation, de fonctionnement et de maintenance

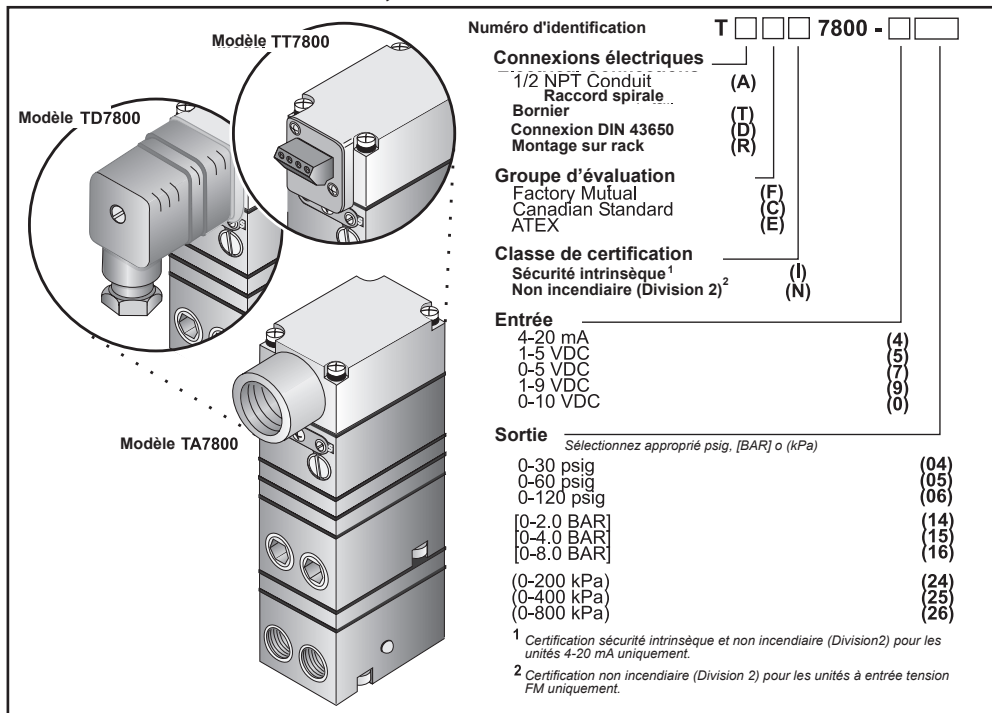


Figure 1. Modèle de transmetteur gamme étendue T7800 avec système de numéros d'identification

Informations générales

Le modèle de transmetteur électropneumatique T7800 convertit un signal d'entrée CC en une pression de sortie pneumatique linéairement proportionnelle.

SPÉCIFICATIONS

Spécifications de performances			
Précision (ISA S51.1)	±0.25% Pleine échelle garantie ±0.15% Pleine échelle standard		
Hystérésis (ISA S51.1)	0.25% Pleine échelle		
Bande neutre	0.02% Pleine échelle		
Répétabilité (ISA S51.1)	0.1% Pleine échelle		
Effet de position	0.125% @ 90° & 0.25% @ 180°		
Effet des vibrations	Inférieur à ±1% de l'étendue dans les conditions suivantes: 5-15 Hz à 0,8 pouces, avec déplacement constant, 15-500 Hz à 10 g's.		
Protection contre les inversions de polarité	Aucun dommage ne se produit lors d'une inversion du courant d'alimentation normal (4-20 mA) ou d'une application incorrecte jusqu'à 60 mA.		
Effet RFI/EMI	Inférieur à 0,5% de l'étendue à 30 v/m classe 3 bande ABC (20 à 1000 mHz) SAMA PMC 33.1 1978 et inférieur à 0,5% de l'étendue à 10 v/m, 2 Ghz EN 61000-4-3: 1998+A1 Directive CEM 2014/30/EU Normes européennes EN61326.		
Effet de la pression d'alimentation	Changement de 0,1 psig pour un changement d'alimentation de 10 psig		
Effet de la température	±[changement de température de 0,5% +0,06% /F°] de l'étendue standard		
Réponse en fréquence	psig [BAR] (kPa)	psig [BAR] (kPa)	psig [BAR] (kPa)
	0-30 [0-2.0] (0-200)	0-60 [0-4.0] (0-400)	0-120 [0-8.0] (0-800)
-3 db à 2 Hz ISA S26.4.3.1 configuration A.			
Matériaux de construction	Corps et carter Aluminium chromé Orifice Cuivre nickelé et saphir Garniture Acier inoxydable, cuivre et acier zingué Elastomères Nitrile Finition Revêtement en poudre époxy		

Spécifications fonctionnelles			
	psig [BAR] (kPa)	psig [BAR] (kPa)	psig [BAR] (kPa)
Plage de sortie	0-30 [0-2.0] (0-200)	0-60 [0-4.0] (0-400)	0-120 [0-8.0] (0-800)
Plage d'entrée	4-20 mA DC, 0-10 VDC, 1-9 VDC, 0-5 VDC, 1-5 VDC		
Pression d'alimentation¹	35-150 [2.5-10] (250-1000)	65-150 [4.6-10] (460-1000)	125-150 [8.8-10] (880-1000)
Étendue minimale	12.5 [0.85] (85)	25 [1.5] (150)	50 [3.0] (300)

¹La pression d'alimentation ne doit pas être inférieure à 5 psig [0,35 BAR], (35 kPa) au-dessus de la sortie maximale.

Consommation d'air	Point de consigne				
	0 psig [0 BAR] (0 kPa)	15 psig [1.0 BAR] (100 kPa)	30 psig [2.0 BAR] (200 kPa)	60 psig [4.0 BAR] (400 kPa)	120 psig [8.0 BAR] (800 kPa)
0-30 psig SCFH	3.1 (.09 m³/HR)	7.81 (.22 m³/HR)	11.8 (.33 m³/HR)		
0-60 psig SCFH	1.6 (.04 m³/HR)	4.7 (.13 m³/HR)	7.8 (.22 m³/HR)	13.3 (.37 m³/HR)	
0-120 psig SCFH	0.5 (.01 m³/HR)		3.8 (.11 m³/HR)	7.6 (.21 m³/HR)	15.1 (.42 m³/HR)
Débit SCFM	11,0 (18,7m³/HR) à 150 psig, [10 BAR], (1000 kPa) sortie alimentation & milieu de l'échelle.				
Températures	Fonctionnement -40°F a +160°F (-40°C a +71.2°C) Stockage -40°F a +180°F (-40°C a +82.2°C)				
Réglages étendue/zéro	Réglages à l'aide d'un tournevis sur la face avant de l'unité				
Tensions de fonctionnement requises	Entrée courant à 2 fils 7.2 VDC a 20 mA (4-20 mA signal)				
Tension d'alimentation	Entrée tension à 3 fils 7-30 VDC, inférieure à 3 mA				
Impédance du signal	Entrée tension à 3 fils 10 Kilohms				

INSTALLATION

Le modèle T7800 peut être monté directement sur une surface plane en utilisant deux vis 10-32. Pour plus d'informations, voir la figure 2. « Dimensions TA7800 ».

Le modèle T7800 est fourni avec un kit de montage 16799-1 pour un montage sur panneau ou un montage mural et un kit de montage 16893 pour le montage du rail DIN. Pour plus d'informations, voir les figures 3 et 7.

Un kit de montage optionnel 19254-1 est disponible pour le montage de l'unité sur un tuyau 2". Pour plus d'informations, voir la figure 8 à la page 3.

NOTE:

Une partie de l'enveloppe des dispositifs TDFI7800/TD7800 est faite de matériaux non métalliques. Pour éviter le risque d'étincelles électrostatiques, l'enveloppe doit être uniquement nettoyée avec un chiffon humide. Le transmetteur TR7800 est conçu pour une utilisation avec le kit en rack TR. Physiquement, il s'agit du même modèle que l'unité TT7800 (bornier), excepté que le bornier a été pivoté à l'arrière. Pour plus d'informations, voir la figure 6. « Dimensions TR7800 ».

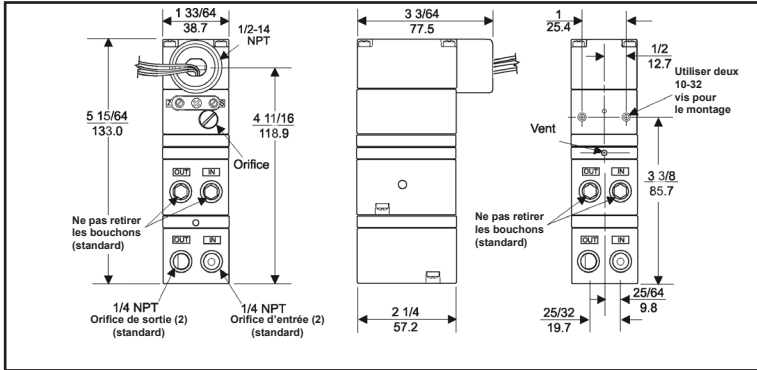


Figure 2. TA7800 Dimensions

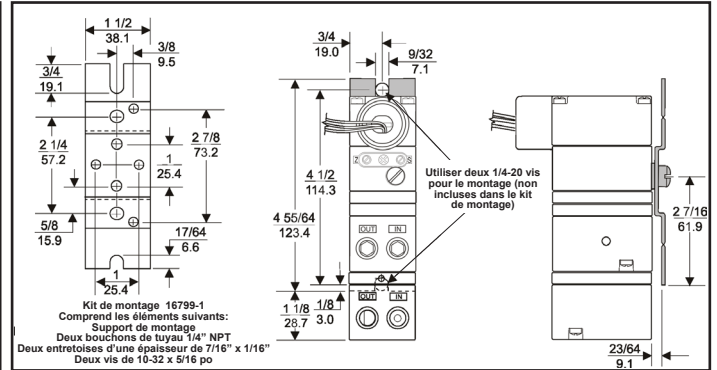


Figure 3. Kit de montage 16799-1 (inclus avec l'unité)

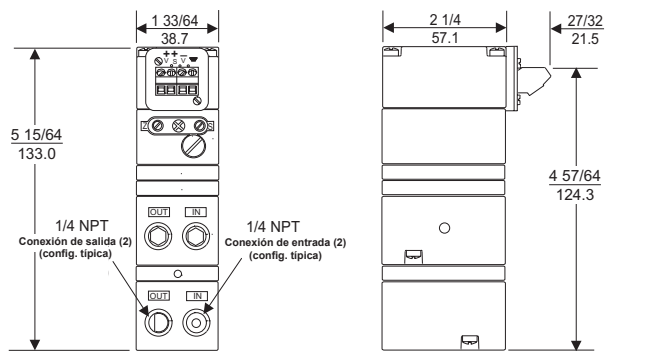


Figure 4. TT7800 Dimensions

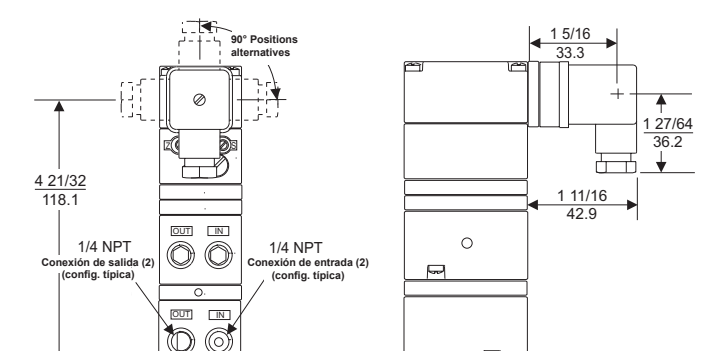


Figure 5. TD7800 Dimensions

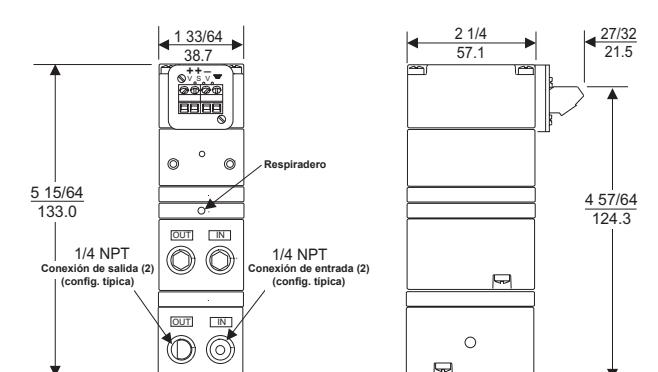


Figure 6. TR7800 Dimensions

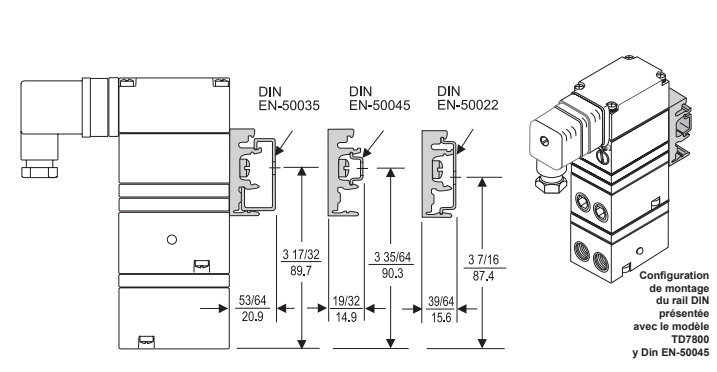


Figure 7. Kit de montage du rail DIN 16893 (inclus avec l'unité)

Installation (suite)

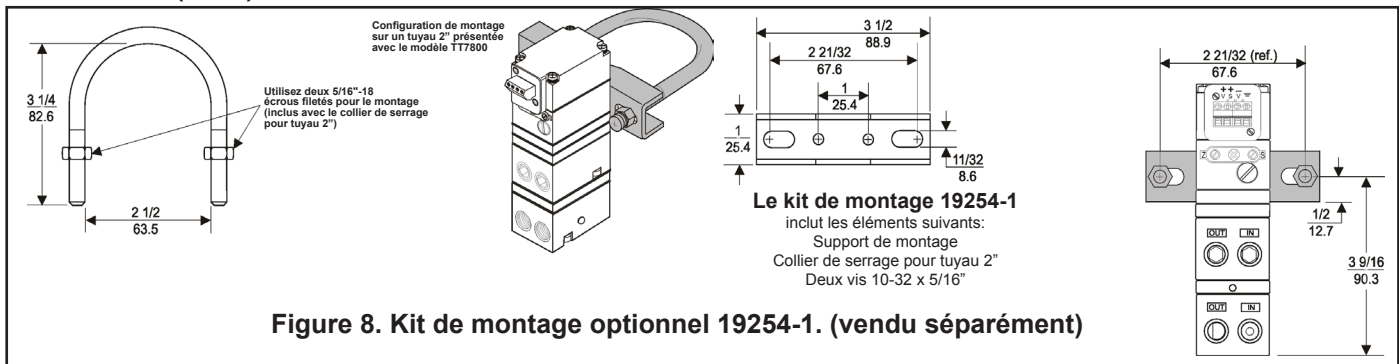


Figure 8. Kit de montage optionnel 19254-1. (vendu séparément)

Connexions pneumatiques

Antes de realizar la instalación, limpie todas las tuberías para eliminar la suciedad e incrustaciones.

Aplique una pequeña cantidad de producto de unión de tuberías solo en la rosca macho del racor. No utilice cinta de teflón como material de sellado. Comience a aplicar el producto desde la tercera vuelta de la rosca y en sentido opuesto al extremo del racor, para evitar una posible contaminación del transductor. Monte el transductor en la tubería de aire.

Las conexiones de entrada y de salida, situadas en el cuerpo de válvula inferior, están marcadas en los extremos del transductor. Apriete las conexiones firmemente. No utilice racores de un tamaño inferior al necesario, ya que limitarían el caudal que atraviesa el transductor y provocarían una caída de presión aguas abajo. Para obtener más información, consulte la figura 2, "Dimensiones generales", en la página 2.

NOTE:

Norme de qualité de l'air des instruments ISA S7.3- 1981 requise. Utilisez un filtre pour retirer les saletés et liquides contenus dans le conduit d'air en aval du transmetteur, pour garantir son bon fonctionnement. Si un lubrificateur pour le conduit d'air est utilisé, celui-ci doit être placé en aval, au-delà du transmetteur.

L'utilisateur doit s'assurer que l'environnement dans lequel l'unité est installée et les gaz utilisés sont compatibles avec les matériaux du transmetteur.

Connexions électriques

Établissez les connexions au bornier, au raccord du conduit ou au connecteur DIN, comme indiqué sur la figure 9. « Connexions électriques ».

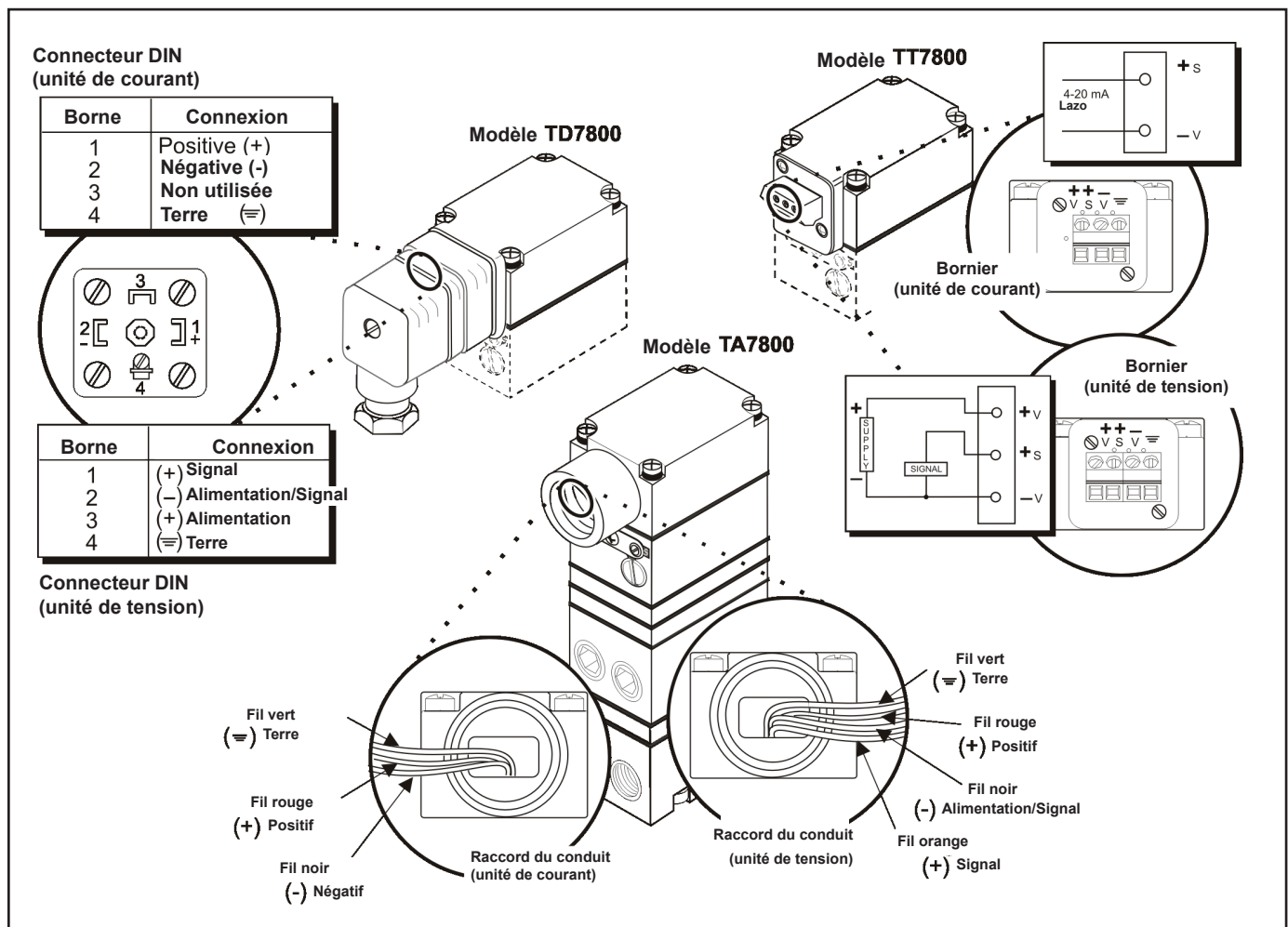


Figure 9. Connexions électriques

ÉTALONNAGES / RÉGLAGES

Équipement requis pour l'étalonnage:

- Alimentation pneumatique capable de délivrer jusqu'à 150 psig
- Alimentation électrique capable de délivrer jusqu'à 30 mA
- Jauge de pression avec affichage numérique jusqu'à 150 psig avec une précision de 0.1%
- Voltmètre numérique avec affichage jusqu'à 30 mA avec une précision de 0.02%

Estas unidades permiten realizar los siguientes ajustes:

Fonctionnement de la gamme complète
Étendue minimale/maximale
Mode avancé/inversé
Étalonnage - Zéro et étendue
Fonctionnement de la gamme fractionnée
Réglages de l'amortissement

FONCTIONNEMENT DE LA GAMME COMPLÈTE

Réglage de l'étendue minimale/maximale

1. Placez le cavalier de l'étendue en position maximale (Hi) pour une plage de sortie de 0-30 psig, 0-60 ou 0-120 psig. Pour plus d'informations, voir le tableau 3. « Fonctionnement de la gamme complète » à la page 5

Réglage du mode d'action avancée

2. Placez le cavalier en position avancée (Fwd).
- **Étalonnage de l'action avancée – Zéro**
3. Appliquez le signal d'entrée minimal et réglez la vis de réglage du zéro pour la pression de sortie minimale.
- **Étalonnage de l'action avancée – Étendue**
4. Appliquez le signal d'entrée maximal et réglez la vis de l'étendue d'échelle pour la pression de sortie maximale.
5. Répétez les étapes 3-4 jusqu'à obtenir la plage de sortie souhaitée.

Réglage du mode d'action inversée

NOTE: Ne pas inverser les fils d'entrée

6. Placez le cavalier en position avancée (Fwd).
- **Étalonnage de l'action inversée – Zéro**
7. Appliquez le signal d'entrée maximal et réglez la vis de réglage du zéro pour une pression de sortie minimale.

Étalonnage de l'action inversée – Étendue

8. Appliquez le signal d'entrée minimal et réglez la vis de réglage de l'étendue d'échelle pour la pression de sortie maximale.
9. Répétez les étapes 7-8 jusqu'à obtenir la plage de sortie souhaitée.

FONCTIONNEMENT DE LA GAMME FRACTIONNÉE

Réglage de l'étendue minimale/maximale

1. Placez le dispositif de réglage de l'étendue en position minimale (Lo) pour une plage de sortie de 0-15 psig, 15-30 psig, 0-30 psig, 30-60 psig, 0-60 psig ou 60-120 psig. Pour plus d'informations, voir le tableau 4. « Fonctionnement de la gamme fractionnée » à la page 5.

Réglage du mode d'action avancée

2. Placez le cavalier en position avancée (Fwd).
- **Étalonnage de l'action avancée – Zéro**
3. Appliquez le signal d'entrée minimal et réglez la vis de réglage du zéro pour la pression de sortie minimale.
- **Étalonnage de l'action avancée – Étendue**
4. Appliquez le signal d'entrée maximal et réglez la vis de réglage avec la pression de sortie maximale.
5. Répétez les étapes 3-4 jusqu'à obtenir la plage de sortie souhaitée.

Réglage du mode d'action inversée

NOTE: Ne pas inverser les fils d'entrée

6. Placez le cavalier en position inversée (Rev).
- **Étalonnage de l'action inversée – Zéro**
7. Appliquez le signal d'entrée maximal et réglez la vis de réglage du zéro pour la pression de sortie minimale.
- **Étalonnage de l'action inversée – Étendue**
8. Appliquez le signal d'entrée minimal et réglez la vis de réglage de l'étendue d'échelle pour la pression de sortie maximale.
9. Répétez les étapes 7-8 jusqu'à obtenir la plage de sortie souhaitée.

Réglages supplémentaires

- **Réglage de l'amortissement**

Le réglage de l'amortissement est utilisé pour régler le transmetteur de manière à ce qu'il fournisse une réponse et une stabilité optimales lors d'une application particulière.

Pour de meilleures performances, débutez le réglage de l'amortissement au réglage maximal (sens horaire complet). Tournez graduellement dans le sens antihoraire jusqu'à ce qu'une légère oscillation se produise et ensuite, tournez dans le sens horaire jusqu'à ce que l'oscillation soit minimisée. Pour plus d'informations, voir la figure 10. « Configuration d'étalonnage T7800 »

1. Tournez le dispositif de réglage de l'amortissement dans le sens horaire pour augmenter la fonction d'amortissement.
2. Tournez le dispositif de réglage de l'amortissement dans le sens antihoraire pour diminuer la fonction d'amortissement.

Étalonnages/Réglages (suite)

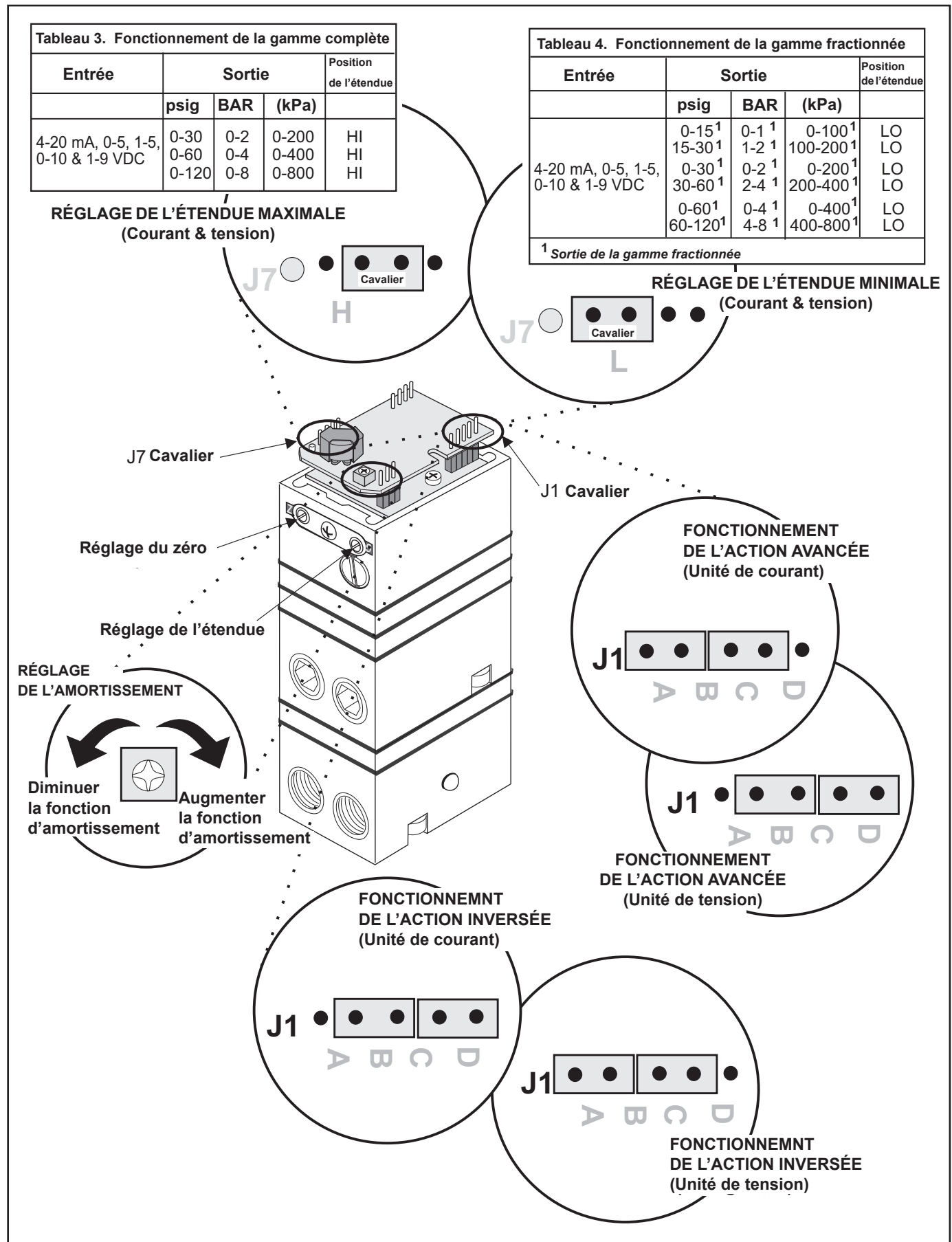
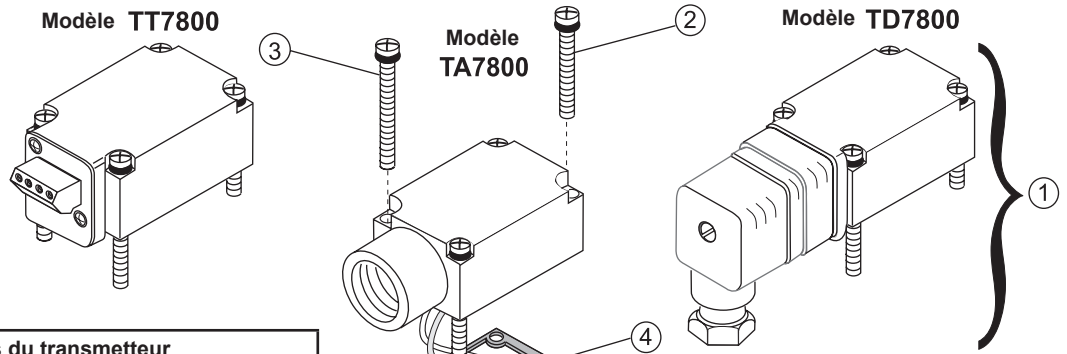
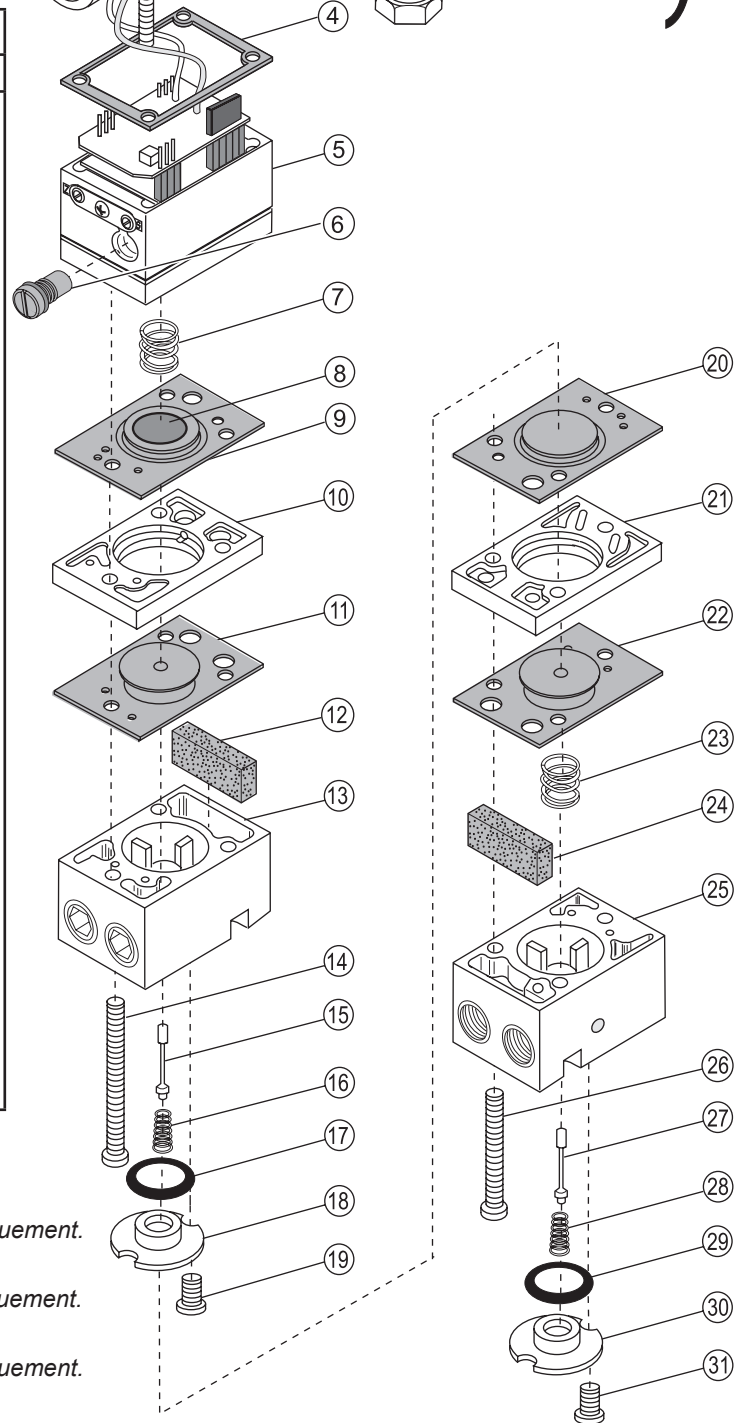


Figure 10. T7800 Configuration d'étalonnage



Élément	Quantité	Description
1	1	Couverture, Usinage
2	2	Vis
3	2	Vis
4 ¹	1	Joint d'étanchéité
5	1	Assemblage du corps de la buse
6 ²	1	Assemblage de l'orifice
6 ³	1	Assemblage de l'orifice
6 ⁴	1	Assemblage de l'orifice
7	1	Ressort
8 ¹	1	Disque
9 ¹	1	Diaphragme
10	1	Bague d'écartement
11 ¹	1	Assemblage du diaphragme
12 ¹	1	Bloc de mousse
13	1	Assemblage du corps de la vanne
14	3	Vis
15	1	Cheville
16	1	Ressort, Cheville
17 ¹	1	Joint torique
18	1	Plug
19	2	Vis
20 ¹	1	Diaphragme
21	1	Bague d'écartement
22 ²	1	Assemblage du diaphragme
22 ⁵	1	Assemblage du diaphragme
23	1	Ressort
24 ¹	1	Bloc de mousse
25	1	Assemblage du corps de la vanne
26	3	Vis
27	1	Cheville
28	1	Ressort, Cheville
29 ¹	1	Joint torique
30	1	Plug
31	2	Vis



¹ Pour tous les kits de maintenance.

² 19267-4 Composants du kit de maintenance uniquement.
0-30 psig, [0-2.0 BAR], (0-200 kPa)

³ 19267-5 Composants du kit de maintenance uniquement.
0-60 psig, [0-4.0 BAR], (0-400 kPa)

⁴ 19267-6 Composants du kit de maintenance uniquement.
0-120 psig, [0-8.0 BAR], (0-800 kPa)

⁵ 19267-5 & EA-19267-6 Composants du kit de maintenance uniquement.

Figure 11. Vue éclatée

MAINTENANCE

Pour nettoyer l'orifice, utilisez la procédure suivante:

1. Fermez la vanne qui alimente le transmetteur en air.
Il n'est pas nécessaire de retirer le transmetteur du conduit d'air.
2. Retirez l'assemblage de l'orifice (6) de l'unité. Pour plus de détails, voir la figure 11. « Vue éclatée » à la page 6.
3. Nettoyez avec de l'alcool et séchez à l'air comprimé.

NOTES:

Les pièces doivent être complètement sèches avant le réassemblage.

Si la procédure de maintenance standard ne règle pas le problème, installez le kit de maintenance.

CLASSIFICATION DE ZONES DANGEREUSES

Certifications FM (Factory Mutual):

Sécurité intrinsèque:

Versions du catalogue: TAFI7800, TDFI7800
 Classe I,II,III Div 1 Groupes CDEFG T4
 ED-18970; Entité
 I/O AEx ia IIB T4
 -40°C to +80°C

Non incendiaire:

Classe I,II,III Div 2 Groupes ABCDEFG T6
 ED-18970; NIFW
 -40°C to +80°C
 Type d'enveloppe 4X

Sécurité intrinsèque:

Versions du catalogue: TTFI7800, TRFI7800
 Classe I,II,III Div 1 Groupes CD T4
 ED-18970; Entité
 I/O AEx ia IIB T4
 -40°C to +80°C

Non incendiaire:

Classe I,II,III Div 2 Groupes ABCD T6
 ED-18970; NIFW
 -40°C to +80°C

Paramètres de l'entité	
$V_{max}^1 = 28VDC$	$C_i^4 = 12nF$
$I_{max}^2 = 100mA$	$L_i^5 = 0mH$
$P_{max}^3 = 0.7W$	
$^1V_{max} =$ Tension maximale	$^4C_i =$ Capacitance
$^2I_{max} =$ Courant maximal	$^5L_i =$ Inductance
$^3P_{max} =$ Potencia máxima	

Paramètres de câblage sur site non incendiaire (NIFW)	
$V_{max}^1 = 30VDC$	$C_i^3 = 0\mu F$
$I_{max}^2 = 120mA$	$L_i^4 = 0mH$
$^1V_{max} =$ Tension maximale	$^3C_i =$ Capacitance
$^2I_{max} =$ Courant maximal	$^4L_i =$ Inductance

DÉTECTION DES PANNES

Tableau 6. Détection des pannes.	
Problème	Solution (contrôle)
Aucune sortie	Pression d'alimentation Orifice obstrué
Fuite	Raccords
Réglage de l'étendu faible ou incorrect	Réglage du zéro et de l'étendue Pression d'alimentation faible Fuite de sortie
Fonctionnement anormal	Signal CC Desserrage des câbles et raccords Liquide dans l'alimentation en air

AVERTISSEMENT:

Une défaillance du transmetteur peut entraîner une augmentation de la pression d'alimentation à l'origine de blessures corporelles ou de l'endommagement de l'équipement.

Certifications CSA (Association canadienne de normalisation):

Sécurité intrinsèque: (4-20 mA only)

(TDCI7800, TACI7800)

Classe I, Division 1, Groupes C et D;
 Classe II, Division 1, Groupes E, F, et G;
 Type 4 Enclosure;
 Rated 4-20 mA, 30 VDC Maximum;
 Code de température T6

(TTCI7800, TRCI7800)

Classe I, Division 1, Groupes C et D;
 Code de température T6

Les certifications sont valides lorsque la connexion se fait via une barrière à diode Zener qui répond aux exigences paramétriques suivantes:	
Système Type 1:	Canal unique polarisé: 28.5V Max. 300 Ohm Min.
Système Type 2:	Double canal polarisé: 28.5V Max. 300 Ohm Min. et 10V Max. 50 Ohm Min.
Système Type 3:	Double canal polarisé: 28.5V Max. 300 Ohm Min. et 28V Retour diode par canal

Certifications Division 2: (4-20 mA uniquement)

(TDCI7800, TTCI7800, TRCI7800)

Classe I, Division 2, Groupes A, B, C et D;
 Rated 4-20 mA, 30 VDC Maximum;
 Code de température T6.

(TACI7800)

Classe I, Division 2, Groupes A, B, C et D;
 Classe II, Division 2, Groupes E, F, et G;
 Type 4 Enclosure;
 Rated 4-20 mA, 30 VDC Maximum;
 Code de température T6.

SUITE DE LA CLASSIFICATION DE ZONES DANGEREUSES À LA PAGE SUIVANTE


CLASSIFICATION DE ZONES DANGEREUSES (SUITE)

Certifications ATEX:

Sécurité intrinsèque: (4-20 mA uniquement)

Version du catalogue: TAEI7800, TDEI7800

Sira 02ATEX2013X

Ex ia IIB T4 Ga (Ta = -40°C to +80°C)  II 1G (T4)

Ex ia IIIC T90°C Da (Ta = -40°C to +80°C) II 1D (T90°C)

Enveloppe IP65

Version du catalogue: TTEI7800, TREI7800

Ex ia IIB T4 Ga (Ta = -40°C to +80°C)  II 1G (T4)

Certifications IECEx:

IECEx SIR 08.0130X

Version du catalogue: TAEI7800, TDEI7800

Ex ia IIB T4 Ga (Ta = -40°C to +80°C)

Ex ia IIIC T90°C Da (Ta = -40°C to +80°C)

Enveloppe IP65

Version du catalogue: TTEI7800, TREI7800

Ex ia IIB T4 Ga (Ta = -40°C to +80°C)

Paramètres du transmetteur		ATEX, IECEx	
U _{max} ¹ (U _i)	28 V	W _{max} ³ (W _i)	0.7 W
I _{max} ² (I _i)	100 mA	Ce _q ⁴ (C _i)	12.nF
		Le _q ⁵ (L _i)	0
¹ U _{max} = Tension maximale		³ W _{max} = Puissance maximale	
² I _{max} = Courant maximal		⁴ Ce _q = Capacitance	
		⁵ Le _q = Inductance	

Cableado en áreas peligrosas

El cableado en áreas peligrosas debe realizarse según se especifica en la tabla 1, y de acuerdo con las disposiciones legales vigentes a nivel local.

País	Organismo	Normas
U.S.	FM	ANSI/ISA RP 12.6 ANSI/NFPA 70 (NEC ®)
Canada	CSA	CED Part 1
Europe	ATEX	EN 50 039, EN 60079-14, IEC 60079-14

Conexiones intrínsecamente seguras

Consulte la última versión de los planos especificados.

Organismo de certificación	N.º de plano
FM (Factory Mutual)	EC-18970
CSA (Canadian Standards)	EC-18971
ATEX	EC-18972



ZONES DANGEREUSES

Conditions particulières pour une utilisation en toute sécurité - AVERTISSEMENTS

- Dans certaines conditions extrêmes, les pièces non métalliques intégrées dans l'enveloppe de l'équipement TDEI7800 peuvent générer un niveau inflammable de charges électrostatiques. Par conséquent, l'équipement ne doit pas être installé dans un lieu où les conditions extérieures pourraient entraîner l'accumulation de charges électrostatiques sur ces surfaces. Ceci est particulièrement important si l'équipement est installé dans un lieu de type « Zone 0/Division 1 ». De plus, l'équipement doit être uniquement nettoyé avec un chiffon humide. Ceci est particulièrement important si l'équipement est installé dans un lieu de type « Zone 0/Division 1 ».
- L'enveloppe de l'équipement TD_I7800 contient des matériaux non métalliques qui doivent être protégés de la lumière UV (par exemple, la lumière du jour ou la lumière artificielle) lors de l'installation.
- L'enveloppe des séries TD_I7800 et TA_I7800 est fabriquée à partir d'alliage d'aluminium. Dans de rares cas, des sources d'inflammation dues à des étincelles, des chocs ou des frottements peuvent apparaître. Ceci doit être pris en compte lors de l'installation, en particulier si l'équipement est installé dans un lieu de type « Zone 0/Division 1 ».
- L'enveloppe des équipements TD_I7800 et TA_I7800 n'est capable de supporter qu'un faible niveau de choc mécanique. Une protection additionnelle doit être fournie pour garantir que l'équipement ne fasse pas l'objet d'une contrainte mécanique extrême.
- La prise DIN connectée à la série TD_I7800 doit être conforme aux exigences IP65.
- Le conduit connecté à l'enveloppe du TA_I7800 doit maintenir les spécifications IP65 de l'enveloppe.
- Les dispositifs TT_I7800 et TR_I7800 doivent être installés dans une enveloppe de protection qui maintient au minimum l'indice de protection IP20/NEMA 1 et qui répond aux exigences IEC 60079-0 pour un équipement Groupe II.

MENTION LÉGALE:

Les informations figurant dans ces instructions d'installation, de fonctionnement et de maintenance ne doivent en aucun cas être modifiées ni amendées, sans l'autorisation écrite préalable de la société de produits industriels Fairchild. De plus, les informations incluses dans ce document doivent être fournies avec chaque produit vendu incorporant l'unité Fairchild.

FAIRCHILD T7800 (GAMA AMPLIADA)

MINITRANSDUCTORES ELECTRONEUMÁTICOS

Instrucciones de instalación, uso y mantenimiento

Número de identificación T 7800 -

Conexiones eléctricas

- Conducto NPT de 1/2 con colet (A)
- Bloque de terminales DIN 43650 Conexión (T)
- Montaje en bastidor (R)

Organismo de certificación

- Factory Mutual (F)
- Canadian Standard (C)
- ATEX (E)

Clase de homologación

- Intrínsecamente seguro¹ (I)
- No inflamable (División 2)² (N)

Entrada

- 4-20 mA (4)
- 1-5 VDC (5)
- 0-5 VDC (7)
- 1-9 VDC (9)
- 0-10 VDC (0)

Salida Seleccione apropiado psig, [BAR] o (kPa)

- 0-30 psig (04)
- 0-60 psig (05)
- 0-120 psig (06)
- [0-2.0 BAR] (14)
- [0-4.0 BAR] (15)
- [0-8.0 BAR] (16)
- (0-200 kPa) (24)
- (0-400 kPa) (25)
- (0-800 kPa) (26)

¹ Homologación como dispositivo intrínsecamente seguro y no inflamable (división 2) solo para las unidades de 4-20 mA.

² Homologación como dispositivo no incendiario (división 2) solo para las unidades FM con entrada de tensión.

Figura 1. Sistema de referencias de identificación de los transductores T7800 (gama ampliada).

INFORMACIÓN GENERAL

Los transductores electro neumáticos T7800 transforman una señal de entrada de CC en una salida de presión neumática directamente proporcional.

ESPECIFICACIONES

Especificaciones de rendimiento							
Exactitud (ISA S51.1)	±0.25% Escala completa garantizada ±0.15% Escala completa típica						
Histéresis (ISA S51.1)	0.25% Escala completa						
Banda muerta	0.02% Escala completa						
Repetibilidad (ISA S51.1)	0.1% Escala completa						
Efecto de la posición	0.125% @ 90° & 0.25% @ 180°						
Efecto de las vibraciones	Inferior al ±1 % de la amplitud en las condiciones siguientes: 5-15 Hz, con desplazamiento constante de unos 2 cm (0,8 pulgadas); o 15-500 Hz, a 10 g						
Protección contra la inversión de polaridad	No se producirán daños aunque exista inversión con la intensidad de suministro normal (4-20 mA), o incluso con intensidades superiores hasta 60 mA.						
Efecto de las IRF/IEM	Inferior al 0,5 % de la amplitud a 30 v/m para la clase 3 y la banda ABC (20-1000 mHz), según la norma SAMA PMC 33.1-1978; e inferior al 0,5 % de la amplitud a 10v/m, hasta la banda de 2 GHz, según la norma EN 61000-4-3:1998+A1, la Directiva 2014/30/EU sobre CEM y la norma europea EN 61326						
Efecto de la presión de suministro	Cambio de 0,1 psig por cada 10 psig de variación de la presión de suministro						
Efecto de la temperatura	±[0,5 % +0,06 %/°F de cambio de temperatura] de Span (valor típico)						
Respuesta de frecuencia	<table border="1" style="width: 100%; text-align: center;"> <thead> <tr> <th>psig [BAR] (kPa)</th> <th>psig [BAR] (kPa)</th> <th>psig [BAR] (kPa)</th> </tr> </thead> <tbody> <tr> <td>0-30 [0-2.0] (0-200)</td> <td>0-60 [0-4.0] (0-400)</td> <td>0-120 [0-8.0] (0-800)</td> </tr> </tbody> </table>	psig [BAR] (kPa)	psig [BAR] (kPa)	psig [BAR] (kPa)	0-30 [0-2.0] (0-200)	0-60 [0-4.0] (0-400)	0-120 [0-8.0] (0-800)
	psig [BAR] (kPa)	psig [BAR] (kPa)	psig [BAR] (kPa)				
0-30 [0-2.0] (0-200)	0-60 [0-4.0] (0-400)	0-120 [0-8.0] (0-800)					
-3 dB a 2 Hz según la norma ISA S26.4.3.1 (configuración de carga A)							
Materiales de fabricación	Cuerpo y cubierta Chromato tratado aluminio Orificio..... Latón niquelado y zafiro Trim..... Acero inoxidable, latón y acero cincado Elastómero..... Nitrilo Acabado Revestimiento epoxi						

Especificaciones funcionales			
	psig [BAR] (kPa)	psig [BAR] (kPa)	psig [BAR] (kPa)
Rango de salida	0-30 [0-2.0] (0-200)	0-60 [0-4.0] (0-400)	0-120 [0-8.0] (0-800)
Rango de entrada	4-20 mA DC, 0-10 VDC, 1-9 VDC, 0-5 VDC, 1-5 VDC		
Presión de suministro¹	35-150 [2.5-10] (250-1000)	65-150 [4.6-10] (460-1000)	125-150 [8.8-10] (880-1000)
Amplitud mínima	12.5 [0.85] (85)	25 [1.5] (150)	50 [3.0] (300)

¹La presión de suministro debe ser como mínimo 5 psig (0,35 bar/35 kPa) superior a la salida máxima.

Consumo de aire	Punto de ajuste				
	0 psig [0 BAR] (0 kPa)	15 psig [1.0 BAR] (100 kPa)	30 psig [2.0 BAR] (200 kPa)	60 psig [4.0 BAR] (400 kPa)	120 psig [8.0 BAR] (800 kPa)
0-30 psig SCFH	3.1 (.09 m³/HR)	7.81 (.22 m³/HR)	11.8 (.33 m³/HR)		
0-60 psig SCFH	1.6 (.04 m³/HR)	4.7 (.13 m³/HR)	7.8 (.22 m³/HR)	13.3 (.37 m³/HR)	
0-120 psig SCFH	0.5 (.01 m³/HR)		3.8 (.11 m³/HR)	7.6 (.21 m³/HR)	15.1 (.42 m³/HR)
Caudal SCFM	11,0 SCFM (18,7 m³/HR) a 150 psig (10 bar) (1000 kPa) suministro y escala media de salida.				
Rango de temperatura	Trabajo -40°F a +160°F (-40°C a +71.2°C) Almacenamiento -40°F a +180°F (-40°C a +82.2°C)				
Ajuste del Zero y Span	Tornillos de ajuste ubicados en la parte frontal de la unidad				
Voltaje de operación requerido	Entrada de corriente de dos hilos 7.2 VDC a 20 mA (4-20 mA señal)				
Tensión de alimentación	Entrada de tensión de tres hilos 7-30 VDC, less than 3 mA				
Impedancia de la señal	Entrada de tensión de tres hilos 10 Kilohms				

INSTALACIÓN

El Modelo T7800 puede ser montado directamente sobre una superficie plana con dos tornillos 10-32. Para obtener más información, consulte la figura 2, "Dimensiones generales de los transductores TA7800".

El Modelo T7800 es suministrado con un kit de montaje 16799 para realizar su montaje en panel o en pared y un kit de montaje 16893 para carril DIN. Para obtener más información, consulte las figuras 3 y 7.

Existe un kit de montaje opcional (19254-1) disponible para instalar la unidad en una tubería de 2". Para obtener más información, consulte la figura 8 en la página 3.

NOTA:

Hay partes de la carcasa de los transductores TDFI7800/TD7800 que están fabricadas con materiales no metálicos. Para evitar el riesgo de acumulación de carga electrostática, la carcasa solo debe limpiarse con un paño húmedo. El transductor TR7800 está diseñado para ser utilizado con el kit de bastidor TR. Físicamente es idéntico al del transductor TT7800, con la salvedad de que el bloque de terminales está girado hacia la parte trasera. Para obtener más información, consulte la figura 6, "Dimensiones generales de los transductores TR7800".

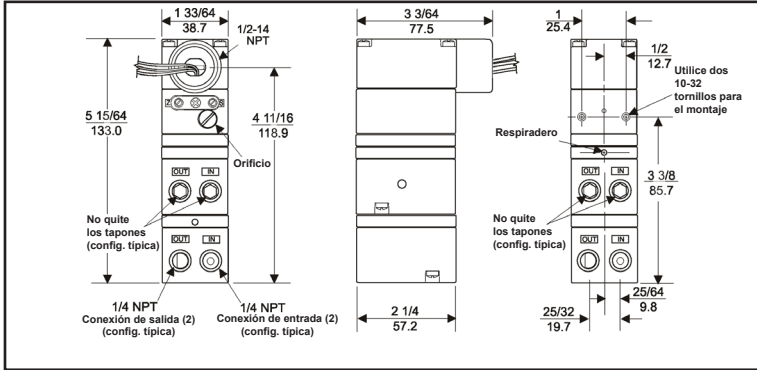


Figura 2. TA7800 Dimensiones generales

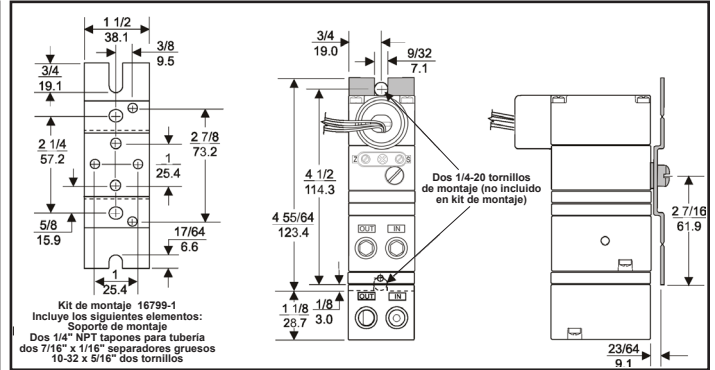


Figura 3. Kit de montaje 16799-1 (incluido con la unidad)

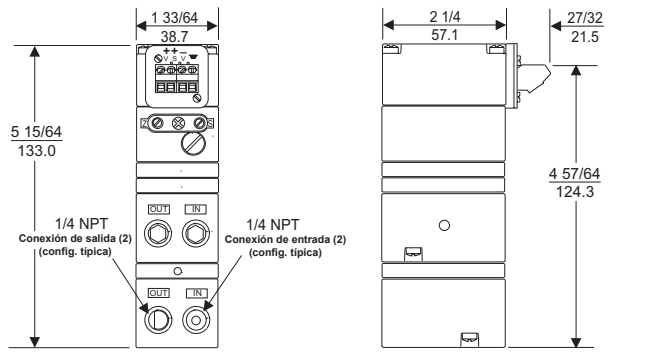


Figura 4. TT7800 Dimensiones generales

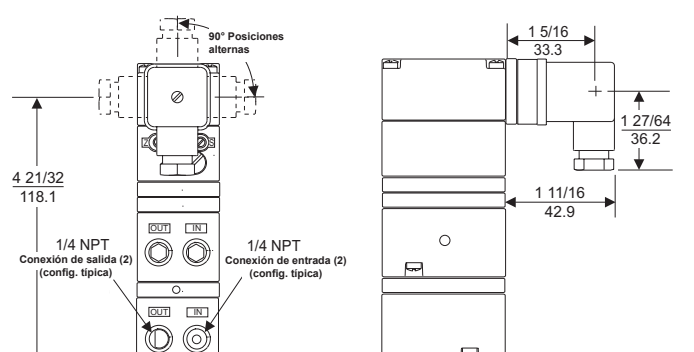


Figura 5. TD7800 Dimensiones generales

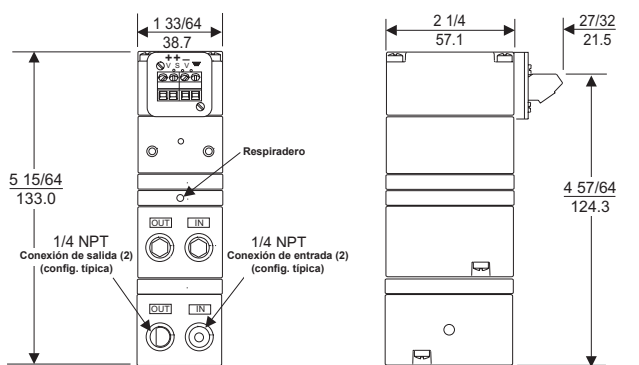


Figura 6. TR7800 Dimensiones generales

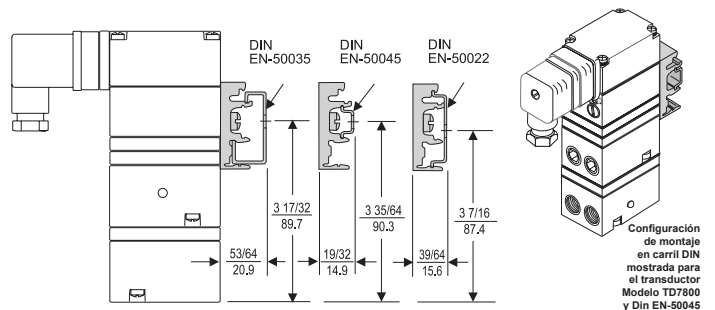
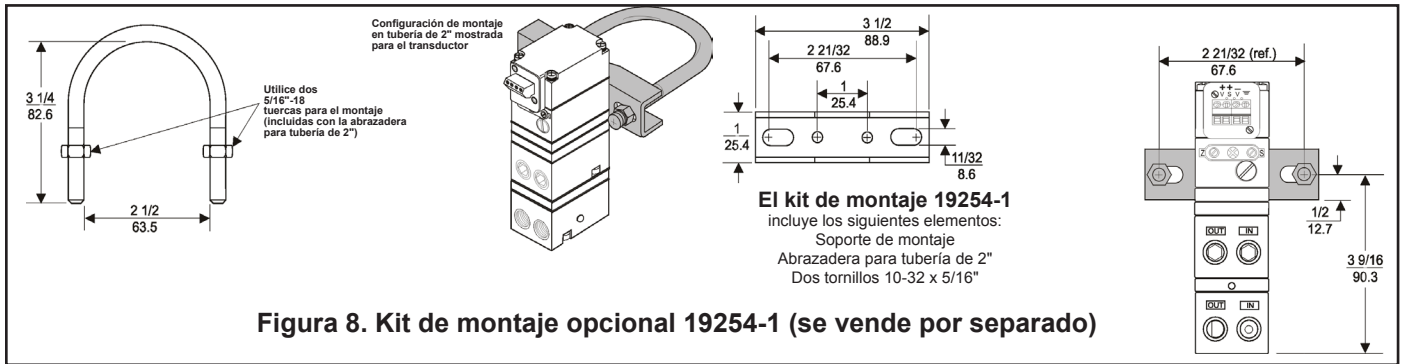


Figura 7. Kit de montaje para carril DIN 16893 (incluido con la unidad)

Instalación (continuación)



Conexiones neumáticas

Antes de realizar la instalación, limpie todas las tuberías para eliminar la suciedad e incrustaciones.

Aplique una pequeña cantidad de producto de unión de tuberías solo en la rosca macho del racor. No utilice cinta de teflón como material de sellado. Comience a aplicar el producto desde la tercera vuelta de la rosca y en sentido opuesto al extremo del racor, para evitar una posible contaminación del transductor. Monte el transductor en la tubería de aire.

Las conexiones de entrada y de salida, situadas en el cuerpo de válvula inferior, están marcadas en los extremos del transductor. Apriete las conexiones firmemente. No utilice racores de un tamaño inferior al necesario, ya que limitarían el caudal que atraviesa el transductor y provocarían una caída de presión aguas abajo. Para obtener más información, consulte la figura 2, "Dimensiones generales", en la página 2.

NOTA:

Debe utilizar aire para instrumentación que cumpla los requisitos de la norma ISA S7.3-1981. Coloque un filtro antes del transductor para eliminar la suciedad y el líquido que puedan existir en la tubería de aire y garantizar su correcto funcionamiento. Si utiliza un sistema de lubricación para la tubería de aire DEBE situarlo aguas abajo, después del transductor

El usuario es el responsable de garantizar que el entorno en el que se instale la unidad y el gas de trabajo sean compatibles con los materiales del transductor.

Conexiones eléctricas

Realice las conexiones en el bloque de terminales, la conexión para conducto eléctrico o el conector DIN, según se especifica en la figura 9, "Conexiones eléctricas".

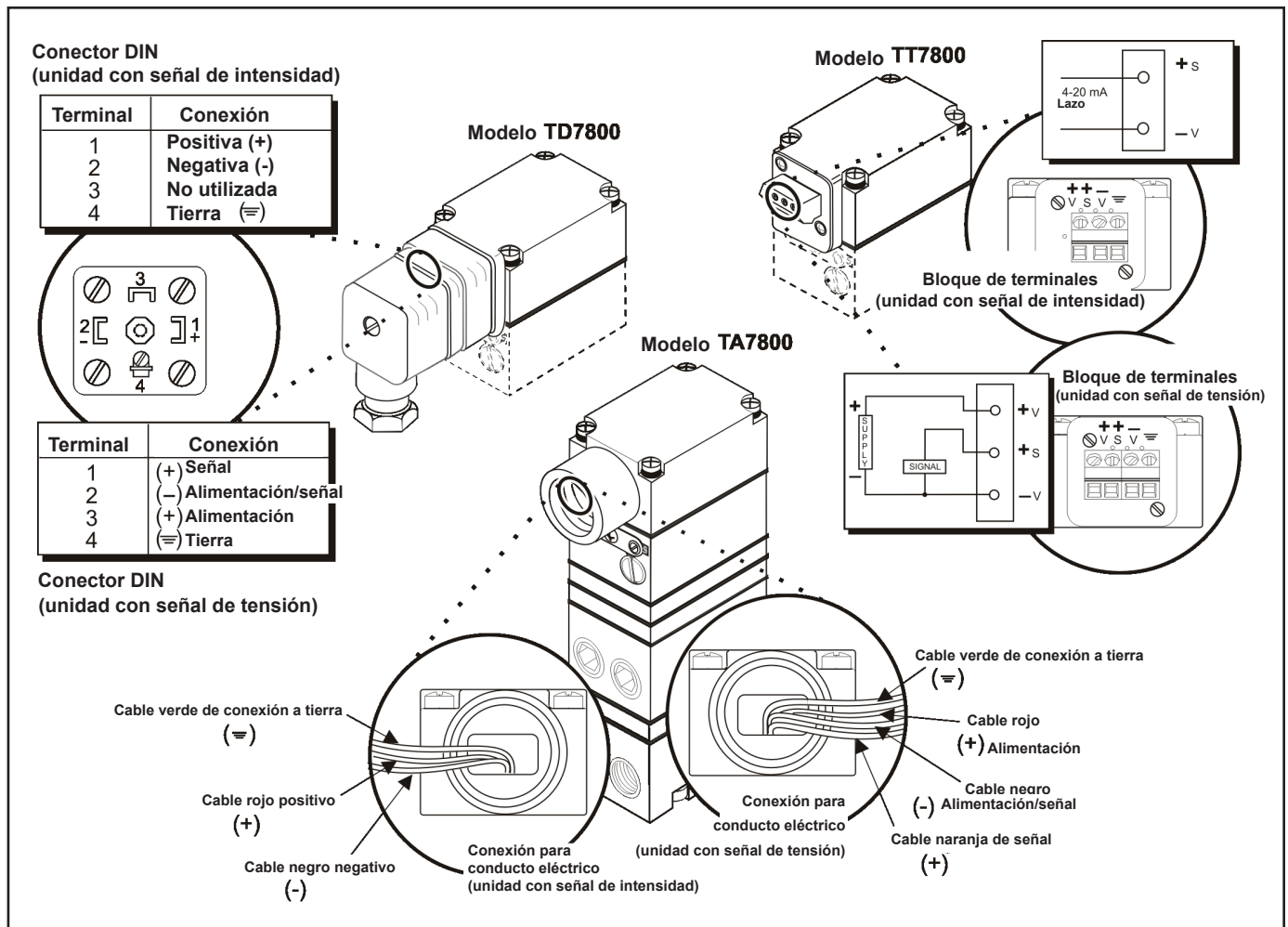


Figura 9. Conexiones eléctricas

CALIBRACIONES Y AJUSTES

Equipo necesario para la calibración:

- Suministro neumático capaz de alcanzar hasta 150 psig
- Suministro de corriente capaz de alcanzar hasta 30 mA
- Manómetro capaz de ofrecer una lectura digital de hasta 150 psig con una precisión del 0,1 %
- Voltímetro digital capaz de ofrecer una lectura de hasta 30 mA con una precisión del 0,02 %

Estas unidades permiten realizar los siguientes ajustes:

Rango completo de operación
Span baja o alta
Modo normal o inverso
Calibración del Zero y Span
Funcionamiento con rango dividido
Ajuste de amortiguación

FUNCIONAMIENTO CON RANGO COMPLETO

Ajuste de Span baja/alta

1. Ajuste el puente de amplitud baja/alta en la posición de amplitud alta para el rango de salida de 0-30, 0-60 o 0-120 psig. Para obtener más información, consulte la tabla 3, "Funcionamiento con rango completo", en la página 5.

Ajuste en el modo normal

2. Establecer puente de modo Fwd/Rev a la posición hacia adelante.
- **Calibración del cero en el modo normal**
3. Aplique la señal de entrada mínima y ajuste el tornillo del cero para obtener la presión de salida mínima.
- **Calibración de la amplitud en el modo normal**
4. Aplique la señal de entrada máxima y ajuste el tornillo de la amplitud para obtener la presión de salida máxima.
 5. Repita los pasos 3 y 4 hasta conseguir el rango de salida deseado.

Ajuste en el modo inverso

NOTA: NO invierta los conectores de entrada.

6. Establecer puente de modo Fwd/Rev a la posición de reverso.
- **Calibración del cero en el modo inverso**
7. Aplique la señal de entrada máxima y ajuste el tornillo del cero para obtener la presión de salida mínima.

Calibración de la amplitud en el modo inverso

8. Aplique la señal de entrada mínima y ajuste el tornillo de la amplitud para obtener la presión de salida máxima.
9. Repita los pasos 7 y 8 hasta conseguir el rango de salida deseado.

FUNCIONAMIENTO CON RANGO DIVIDIDO

Ajuste de amplitud baja/alta

1. Ajuste el puente de amplitud baja/alta en la posición de amplitud alta para el rango de salida de 0-30, 0-60 o 0-120 psig. Para obtener más información, consulte la tabla 3, "Funcionamiento con rango completo", en la página 5.

Ajuste en el modo normal

2. Sitúe el puente de selección de modo en la posición del modo normal.
- **Calibración del cero en el modo normal**
3. Aplique la señal de entrada mínima y ajuste el tornillo del cero para obtener la presión de salida mínima.
- **Calibración de la amplitud en el modo normal**
4. Aplique la señal de entrada máxima y ajuste el tornillo de la amplitud para obtener la presión de salida máxima.
 5. Repita los pasos 3 y 4 hasta conseguir el rango de salida deseado.

Ajuste en el modo inverso

NOTA: NO invierta los conectores de entrada.

6. Sitúe el puente de selección de modo en la posición del modo inverso.
- **Calibración del cero en el modo inverso**
7. Aplique la señal de entrada máxima y ajuste el tornillo del cero para obtener la presión de salida mínima.
- **Calibración de la amplitud en el modo inverso**
8. Aplique la señal de entrada mínima y ajuste el tornillo de la amplitud para obtener la presión de salida máxima.
 9. Repita los pasos 7 y 8 hasta conseguir el rango de salida deseado.

Ajustes adicionales

- **Ajuste de amplitud baja/alta**

El ajuste de amortiguación se utiliza para regular el transductor de forma que ofrezca una respuesta y una estabilidad óptimas para una aplicación concreta.

Para obtener unos resultados óptimos, sitúe el tornillo de ajuste de amortiguación en la posición correspondiente al valor máximo (es decir, gírelo por completo en sentido horario). Gire progresivamente el tornillo en sentido anti horario hasta que se produzca una ligera oscilación; a continuación, vuelva a girarlo en sentido horario hasta minimizar dicha oscilación. Para obtener más información, consulte la figura 10, "Configuración de calibración de los transductores T7800".

1. Gire el tornillo de ajuste de amortiguación en sentido horario para aumentar la función de amortiguación.
2. Gire el tornillo de ajuste de amortiguación en sentido anti horario para reducir la función de amortiguación.

Calibraciones y ajustes (continuación)

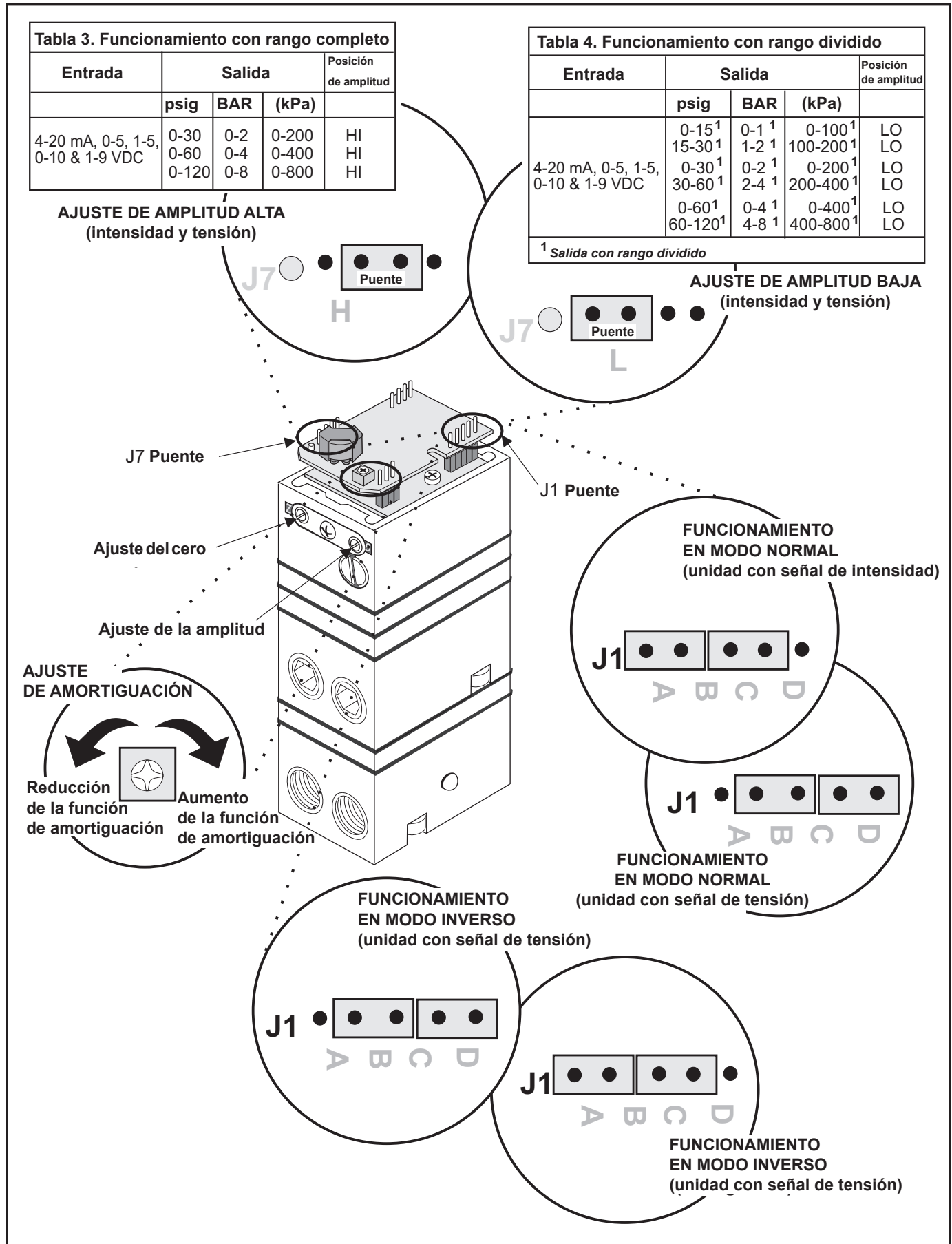


Figura 10. Configuración de calibración

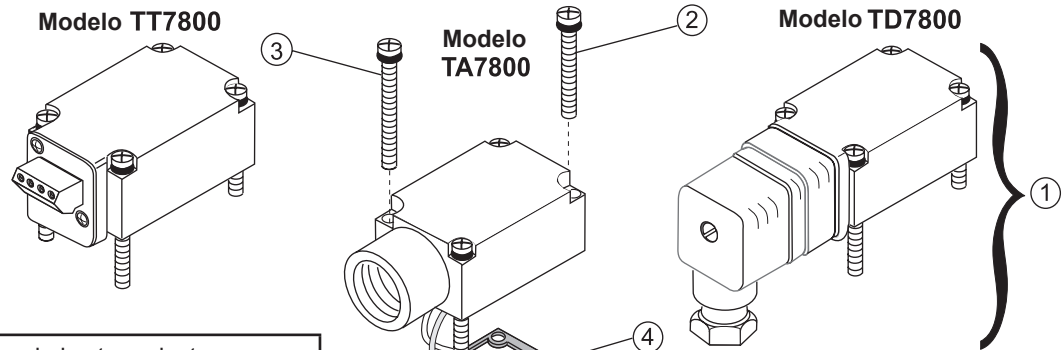


Tabla 5. Componentes de los transductores

Ref.	Cant.	Descripción
1	1	Cubierta, Mecanizado
2	2	Tornillo
3	2	Tornillo
4 ¹	1	Junta
5	1	Conjunto de cuerpo de boquilla
6 ²	1	Conjunto de orificio
6 ³	1	Conjunto de orificio
6 ⁴	1	Conjunto de orificio
7	1	Muelle
8 ¹	1	Disco
9 ¹	1	Diafragma
10	1	Anillo separador
11 ¹	1	Conjunto de diafragma
12 ¹	1	Bloque de espuma
13	1	Conjunto de cuerpo de válvula
14	3	Tornillo
15	1	Pivote
16	1	Tornillo, Pintle
17 ¹	1	Junta tórica
18	1	Enchufe
19	2	Tornillo
20 ¹	1	Diafragma
21	1	Anillo separador
22 ²	1	Conjunto de diafragma
22 ⁵	1	Conjunto de diafragma
23	1	Muelle
24 ¹	1	Bloque de espuma
25	1	Conjunto de cuerpo de válvula
26	3	Tornillo
27	1	Pivote
28	1	Tornillo, Pintle
29 ¹	1	Junta tórica
30	1	Enchufe
31	2	Tornillo

¹ Para todos los kits de servicio.

² 19267-4 Componentes incluidos solo en el kit de servicio. 0-30 psig, [0-2.0 BAR], (0-200 kPa)

³ 19267-5 Componentes incluidos solo en el kit de servicio. 0-60 psig, [0-4.0 BAR], (0-400 kPa)

⁴ 19267-6 Componentes incluidos solo en el kit de servicio. y. 0-120 psig, [0-8.0 BAR], (0-800 kPa)

⁵ 19267-5 & EA-19267-6 Componentes incluidos solo en el kit de servicio.

Figura 11. Despiece

MANTENIMIENTO

Para limpiar el orificio, siga el procedimiento indicado a continuación:

1. Cierre la válvula de suministro de aire al transductor. **No es necesario desmontar el transductor de la tubería de aire.**
2. Desmonte el conjunto del orificio (6) de la unidad. Para obtener más información, consulte la figura 11, "Despiece", en la página 6.
3. Limpie el orificio con alcohol y séquelo con aire comprimido.

NOTAS:

Las piezas deben estar completamente secas antes de volverlas a montar.

Si no consigue resolver el problema con el procedimiento estándar de mantenimiento, instale el kit de servicio correspondiente.

CLASIFICACIÓN DE ÁREAS PELIGROSAS

Homologaciones de FM (Factory Mutual):

Intrínsecamente seguro:

Modelos del catálogo: TAFI7800, TDFI7800
Class I,II,III Div 1 Groups CDEFG T4
ED-18970; Entity
I/O AEx ia IIB T4
-40°C to +80°C

No incendiario:

Class I,II,III Div 2 Groups ABCDEFG T6
ED-18970; NIFW
-40°C to +80°C
Enclosure Type 4X

Intrinsically Safe:

Catalog Versions: TTFI7800, TRFI7800
Class I,II,III Div 1 Groups CD T4
ED-18970; Entity
I/O AEx ia IIB T4
-40°C to +80°C

No incendiario:

Class I,II,III Div 2 Groups ABCD T6
ED-18970; NIFW
-40°C to +80°C

Parámetros de entidad	
$V_{max}^1 = 28VDC$	$C_i^4 = 12nF$
$I_{max}^2 = 100mA$	$L_i^5 = 0mH$
$P_{max}^3 = 0.7W$	
$^1V_{max} =$ Tensión máxima	$^4C_i =$ Capacitancia
$^2I_{max} =$ Intensidad máxima	$^5L_i =$ Inductancia
$^3P_{max} =$ Potencia máxima	

Parámetros de cableado de campo no incendiario (NIFW)	
$V_{max}^1 = 30VDC$	$C_i^3 = 0uF$
$I_{max}^2 = 120mA$	$L_i^4 = 0mH$
$^1V_{max} =$ Tensión máxima	$^3C_i =$ Capacitancia
$^2I_{max} =$ Intensidad máxima	$^4L_i =$ Inductancia

RESOLUCIÓN DE PROBLEMAS

Tabla 6. Resolución de problemas.

Problema	Solución (elementos a comprobar)
Ausencia de salida	Presión de suministro Orificio obstruido
Fugas	Conexiones
Bajo o Incorrecto Ajuste de la amplitud	Ajuste del cero y la amplitud Presión de suministro baja Fugas en la salida
Funcionamiento errático	Señal de CC Cables o conexiones sueltos Líquido en el suministro de aire

WARNING:

El fallo del transductor puede producir una presión de salida superior a la presión de suministro, lo que podría provocar lesiones personales o daños materiales en el equipo.

Homologaciones de CSA (Canadian Standards Association):

Intrínsecamente seguro: (4-20 mA only)

(TDCI7800, TACI7800)

Class I, Division 1, Groups C y D;
Class II, Division 1, Groups E, F, y G;
Type 4 Enclosure;
Rated 4-20 mA, 30 VDC Maximum;
Código de temperatura T6.

(TTCI7800, TRCI7800)

Class I, Division 1, Groups C y D;
Código de temperatura T6.

Las homologaciones serán válidas cuando la conexión se realice a través de una barrera de seguridad con diodos Zener que cumpla los requisitos siguientes:

Sistema de tipo 1:	De canal sencillo, polarizado y con los valores nominales siguientes: 28.5V Max. 300 Ohm Min.
Sistema de tipo 2:	De canal doble, polarizado y con los valores nominales siguientes: 28.5V Max. 300 Ohm Min. y 10V Max. 50 Ohm Min.
Sistema de tipo 3:	De canal doble, polarizado y con los valores nominales siguientes: 28.5V Max. 300 Ohm Min. y 28V Diode return per channel.

Homologaciones para la división 2

(solo para señales de 4-20 mA):

(TDCI7800, TTCI7800, TRCI7800)

Class I, Division 2, Groups A, B, C y D;
Rated 4-20 mA, 30 VDC Maximum;
Código de temperatura T6.

(TACI7800)

Class I, Division 2, Groups A, B, C y D;
Class II, Division 2, Groups E, F, y G;
Type 4 Enclosure;
Rated 4-20 mA, 30 VDC Maximum;
Código de temperatura T6.

LA CLASIFICACIÓN DE ÁREAS PELIGROSAS CONTINÚA EN LA PÁGINA SIGUIENTE

CLASIFICACIÓN DE ÁREAS PELIGROSAS (CONTINUACIÓN)

Homologaciones ATEX:

Intrínsecamente seguro: (4-20 mA solo)

Modelos del catálogo: TAEI7800, TDEI7800

Sira 02ATEX2013X

Ex ia IIB T4 Ga (Ta = -40°C to +80°C)  II 1G (T4)

Ex ia IIIC T90°C Da (Ta = -40°C to +80°C) II 1D (T90°C)

Enclosure IP65

Modelos del catálogo: TTEI7800, TREI7800

Ex ia IIB T4 Ga (Ta = -40°C to +80°C)  II 1G (T4)

Homologaciones IECEx:

IECEx SIR 08.0130X

Modelos del catálogo: TAEI7800, TDEI7800

Ex ia IIB T4 Ga (Ta = -40°C to +80°C)

Ex ia IIIC T90°C Da (Ta = -40°C to +80°C)

Enclosure IP65

Modelos del catálogo: TTEI7800, TREI7800

Ex ia IIB T4 Ga (Ta = -40°C to +80°C)

Parámetros del transductor		ATEX, IECEx	
U _{max} ¹ (U _i)	28 V	W _{max} ³ (W _i)	0.7 W
I _{max} ² (I _i)	100 mA	Ce _q ⁴ (C _i)	12.nF
		Le _q ⁵ (L _i)	0
¹ U _{max} = Tensión máxima		³ W _{max} = Potencia máxima	
² I _{max} = Intensidad máxima		⁴ Ce _q = Capacitancia	
		⁵ Le _q = Inductancia	

Cableado en áreas peligrosas

El cableado en áreas peligrosas debe realizarse según se especifica en la tabla 1, y de acuerdo con las disposiciones legales vigentes a nivel local.

País	Organismo	Normas
U.S.	FM	ANSI/ISA RP 12.6 ANSI/NFPA 70 (NEC ®)
Canada	CSA	CED Part 1
Europe	ATEX	EN 50 039, EN 60079-14, IEC 60079-14

Conexiones intrínsecamente seguras

Consulte la última versión de los planos especificados.

Organismo de certificación	N.º de plano
FM (Factory Mutual)	EC-18970
CSA (Canadian Standards)	EC-18971
ATEX	EC-18972



ÁREAS PELIGROSAS

Condiciones especiales para garantizar que el uso sea seguro: ADVERTENCIAS

- En determinadas condiciones extremas, las piezas no metálicas integradas en la carcasa de las unidades de la familia TDEI7800 pueden generar una carga electrostática capaz de actuar como fuente de ignición. Por lo tanto, el equipo no debe instalarse en lugares donde puedan existir condiciones externas que den lugar a la acumulación de carga electrostática en esas superficies. Esto es especialmente importante si el equipo está instalado en un área clasificada como zona 0/división 1. Asimismo, para la limpieza del equipo solo debe utilizarse un paño húmedo. Esto es especialmente importante si el equipo está instalado en un área clasificada como zona 0/división 1.
- La carcasa de las unidades de la familia TD_I7800 incorpora materiales no metálicos que deben protegerse contra la acción de la radiación UV (por ejemplo, de la luz solar o de las luminarias) a la hora de realizar la instalación.
- La carcasa de las unidades de las familias TD_I7800 y TA_I7800 está fabricada con aleación de aluminio. En casos excepcionales, pueden producirse chispas por impacto o fricción que pueden actuar como fuentes de ignición. Esto debe tenerse en cuenta durante la instalación, en especial si el equipo se instala en un área clasificada como zona 0/división 1.
- La carcasa de los dispositivos de las familias TD_I7800 y TA_I7800 solo es capaz de soportar situaciones de bajo riesgo mecánico; por lo tanto, es necesario incluir protecciones adicionales para garantizar que no se vea afectada por tensiones mecánicas extremas.
- Los conectores DIN acoplados a las unidades de la familia TD_I7800 deben cumplir los requisitos del grado de protección IP 65.
- Los conductos eléctricos conectados a la carcasa de las unidades TA_I7800 deben cumplir los requisitos oportunos para que la carcasa mantenga su grado de protección IP 65.
- Para realizar la instalación de las unidades TT_I7800 y TR_I7800 debe utilizarse una carcasa que ofrezca como mínimo un grado de protección IP 20 o NEMA 1 contra la entrada de partículas, y que cumpla los requisitos aplicables a las carcasas para equipos del grupo II de la norma IEC 60079-0.

AVISO LEGAL

La información contenida en las presentes instrucciones de instalación, uso y mantenimiento no debe modificarse ni alterarse de ningún modo sin el consentimiento previo por escrito de Fairchild Industrial Products Company. Asimismo, la información incluida en el presente documento debe entregarse junto con todos y cada uno de los productos comercializados que incorporen unidades de Fairchild como componentes.



IS-50T7800E
Litho in USA
Rev. M 05/16



Fairchild Industrial Products Company
3920 West Point Blvd • Winston-Salem, NC 27103
phone: (336) 659-3400 • fax: (336) 659-9323
sales@fairchildproducts.com • www.fairchildproducts.com